



JIN TOOL

THE NEW GENERATION WRENCH



The Best Hand Tool Maker



Reg.No:67Q14527



ABOUT JIN WANG



Jin Wang is a professional ODE & OEM manufacturer; we start business in 1965 by manufacturing variety of building tools such as tile cutter, tile nipper, and multi-functional tools. In 2002, we expand our product line to automobile industrial; three major products Jin Wang offers to you this day is our high-end wrench, socket set, and professional tile cutter.

We are a GS and ISO certified manufacturer that also has a professional R&D team that is lead by the chairman – Mr. Yang who has been continuously designing new products to meet high-end tools market. Currently, we hare 68 patent products selling worldwide.

Finding great tools? Come to Jin Wang, we offer you the best!

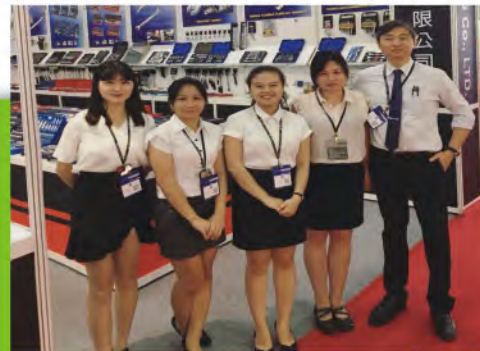
JIN WANG Exhibition www.jinwang-tools.com



2014 Cologne Exhibition

2015 MIMS
Automechanika Moscow

2016 Cologne Exhibition



2017
Taiwan Hardware Show

2018 Cologne Exhibition

2018
Taiwan Hardware Show

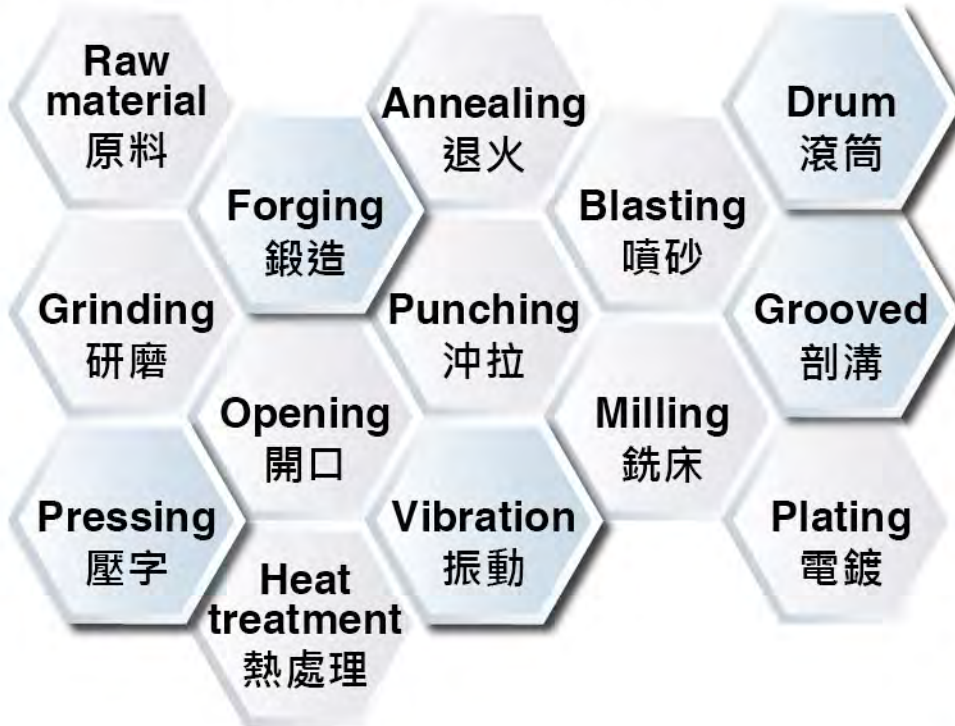


Golden PIN
DESIGN AWARD
金點設計獎

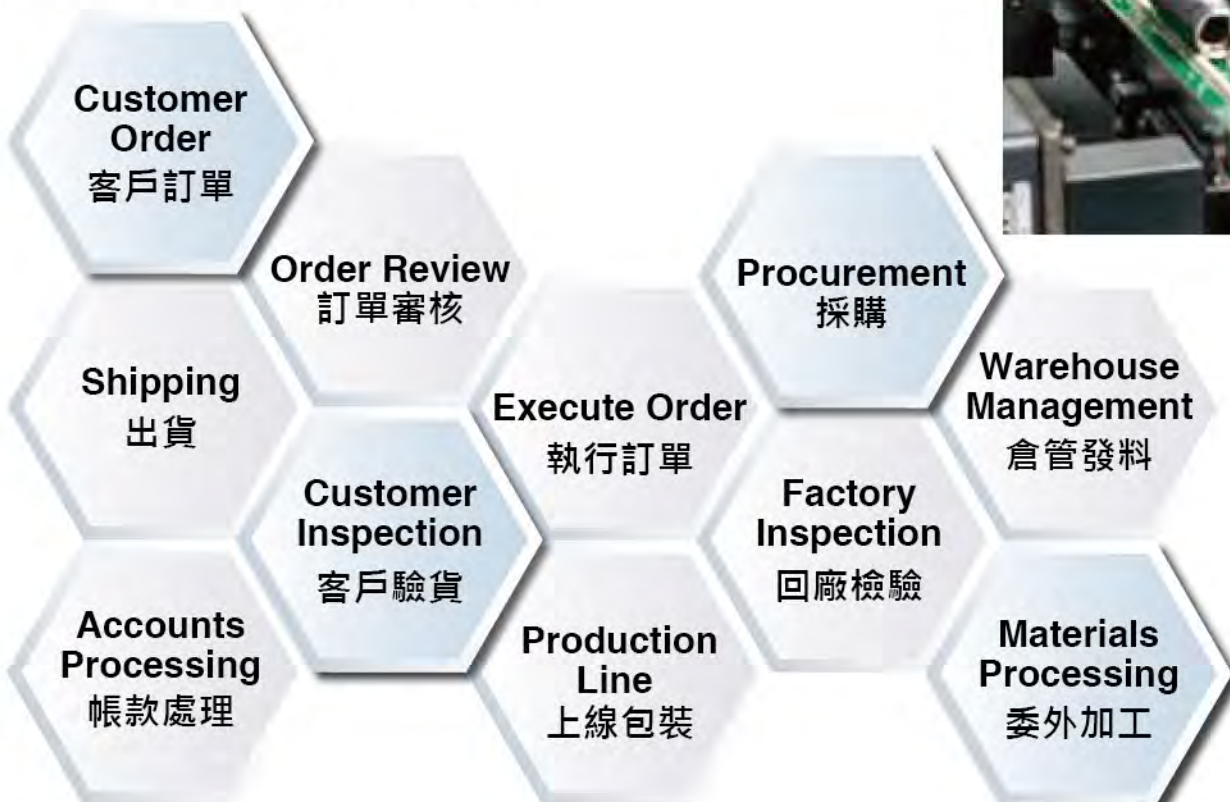


Reg.No:67Q14527

Wrench manufacturing process 扳手製程：



Order process 訂單流程：



GET ORGANIZED IN THE TOOL BOX



We customize your own tool kits!

More than 1,000 products for your selection.
Please pick out your tool kits!

PS Tray



CM-BTC-SD08-GB

CONTENTS			
8Pcs			
8PCS-Anti-Slip Screw Drivers 霧金/CR-V,黑頭附磁			
6-Anti-Slip Slotted Screw Drivers		2-Anti-Slip Phillips Screw Drivers	
3mm	75mmL	PH.1	80mmL
3.5mm	100mmL	PH.2	100mmL
4mm	100mmL		
5.5mm	125mmL		
6.5mm	150mmL		
8mm	175mmL		



CM-BTC-SDZ08-GB

CONTENTS	
8Pcs	
8PCS-Anti-Slip Screw drivers	
2pcs - 2-Anti-Slip Slotted Screw drivers	4pcs - PH.1 (38mmL)
5.5mm (38mmL)	4-Anti-Slip Pozidriv Screw drivers
6.5mm (38mmL)	PZ.0 (60mmL)
2pcs - 2-Anti-Slip Phillips Screw drivers	PZ.1 (38mmL)
PH.0 (60mmL)	PZ.1 (80mmL)
	PZ.2 (100mmL)



CM-BTC-SSD08-GB

CONTENTS	
8Pcs	
Material:Chrome vanadium	
8pcs - Star screwdriver	
T8, T10, T15, T20, T25, T27, T30, T40	



CM-BTC-PL03-JL

CONTENTS		
3 Pcs		
Material:Chrome vanadium		
1pc - long nose pliers 8"	1pc - combination pliers 7"	1pc - diagonal pliers 7"



CM-BTC-PL04-JL

CONTENTS		
4Pcs		
4PC Pliers set		
Pliers set	Pliers set	Pliers set
2pcs - 8" Long & Bent nose plier	1pcs - 7" Combination plier	1pcs - 7" Diagonal plier

PS Tray



CM-BTC-4005

CONTENTS		
5 Pc		
1pc - 72 teeth ratchet handle		
Extension 2pcs - 5",10"	1pc - Sliding T handle	1pc - Universal joint



CM-BTC-HC05

CONTENTS		
5Pcs		
Material:Chrome vanadium		
1pc - Engineer hammer 300g	1pc - Rubber hammer 400g(280mmL)	
Cold Chisel		
3pc - 16mm (175mmL) , 19mm (190mmL) , 22mm (205mmL)		



CM-BTC-PL02

CONTENTS		
2 Pcs		
Material:Chrome vanadium		
1pcs - Waterpump plier 10"	1pcs - Locking plier 10"	



CM-BTC-WP03

CONTENTS		
3 Pcs		
Material:Chrome vanadium		
1pc - Adjustable wrench 10"	1pc - Waterpump pliers 10"	1pc - Locking pliers 10"



CM-BTC-CW16

CONTENTS		
16 Pcs		
16-Combination wrench		
16pcs - 6, 7, 8, 9, 10, 11, 12, 13, 14, 15, 16, 17, 18, 19, 22, 24mm		



CM-BTC-ASW12

CONTENTS		
12 Pcs		
12-Combination wrench		
12pcs - 6, 7, 8, 9, 10, 11, 12, 13, 14, 15, 17, 19		

PS Tray



CM-BTC-PR08

CONTENTS
8 Pcs
Material:Chrome vanadium
PR45° Offset ring wrench
8pcs - 6x7; 8x9; 10x11; 12x13; 14x15; 16x17; 18x19; 21x23 mm



CM-BTC-FN08

CONTENTS
8 Pcs
8-Flare nut wrench
8PCS - 8x10; 11x13; 12x14; 16x18; 17x19; 19x22; 24x27; 30x32 mm



CM-BTC-CW05

CONTENTS
5 Pcs
5-Combination wrench
5pcs - 26; 27; 28; 30; 32 mm



CM-BTC-DO11

CONTENTS
11 Pcs
11-Double open end wrench
11pc - 6x7; 8x9; 10x11; 12x13; 14x15; 16x17; 18x19; 20x22; 21x23; 24x27; 30x32 mm



CM-BTC-CH13

CONTENTS
13 Pcs
Material:Chrome vanadium
Cold Chisel
5PCS - 11(145mmL), 12.7(160mmL), 16(175mmL), 19(190mmL), 22(205mmL)
Cold Chisel
3PCS - 6(150mmL), 4(125mmL), 3(125mmL)
Taper punch
3PCS - 5(125mmL), 4(125mmL), 3(125mmL)
1PCS - Cape chisel 6(150mmL) , 1PCS - Center punch 4(150mmL)



CM-BTC-BEL03

CONTENTS
3 Pcs
3-Combination wrench
3pcs - 10*12,13*14,15*17

PS Tray



CM-BTC-4021

CONTENTS	
21 Pcs	
21-6pt. Flank socket	
21PCS - 8; 10; 11; 12; 13; 14; 15; 16; 17; 18; 19; 20; 21; 22; 23; 24; 26; 27; 28; 30; 32mm	



CM-BTC-3024

CONTENTS	
24 Pcs	
Material:Chrome vanadium	
6pt. Flank socket	
17PCS - 6; 7; 8; 9; 10; 11; 12; 13; 14; 15; 16; 17; 18; 19; 20; 21; 22mm	
Spark plug socket	Extension
2PCS - 16mm, 20.6mm	2PCS - 3", 6"
1PCS - Universal joint	1PCS - Sliding T bar



CM-BTC-SS36

CONTENTS	
36 pcs-Star Set	
Material:Chrome vanadium	
Torx socket	
12pcs - 1/4"DR.-E4; E5; E6; E7; E8; E10, 3/8"DR.-E11; E12; E14; E16; E18; E20	
1/4" HBS 37mmL	
10pcs - T7;T8; T9; T10; T15; T20; T25; T27; T30; T40	
9-Star L Key w/red hanger	
9pcs - TH10;TH15;TH20;TH25;TH27;TH30;TH40;TH45;TH50	
1/2" HBS	
3pcs - T55(140mmL); T60(100mmL); T70(100mmL)	
3/8" HBS 50mmL	
2pcs - T45; T50	



CM-BTC-2064

CONTENTS		
64 Pcs		
Material:Chrome vanadium		
Socket bit (37mmL)		
24pcs - Hex 3; 4; 5; 6; 7; 8; 10 mm		
Phillips PH.1; PH.2; PH.3		
Pozi PZ.1; PZ.2; PZ.3		
Slotted 4; 5.5; 6.5 mm		
Torx T8; T10; T15; T20; T25; T27; T30; T40		
Hex Ball Point Key (Long Pattern)		
10pcs - 1.27; 1.5; 2; 2.5; 3; 4; 5; 6; 8;10 mm		
Extension		
3pcs - 2", 4", 6"		
1pcs - Sliding T handle	1pcs - Universal joint	1pcs - Spinner 6"
1pcs - Magnetic socket pick-up		

PACKAGE



PACKAGE OPTIONS



A1: Pouch Bag + Color Box + Shrink
A2: Pouch Bag + Color Sleeve + Shrink



B1: Blow Mold Case + Color Box + Shrink
B2: Blow Mold Case+ Color Sleeve + Shrink



C1: Blow Mold Case + EVA Tray + Color Box + Shrink
C2: Blow Mold Case+ EVA Tray + Color Sleeve + Shrink



D1: PS Tray + Color Box + Shrink
D2: PS Tray+ Transprant Lid + Color Sleeve + Shrink



E1: EVA Tray + Color Box + Shrink
E2: EVA Tray+ Transprant Lid + Color Sleeve + Shrink



F1: Plastic Hanger + Sticker + PE bag
F2: Plastic Holder + Sticker + Shrink



G1: Metal Case + EVA Tray + Color Box + Shrink
G2: Metal Case+ EVA Tray + Color Sleeve + Shrink



H1: Metal Case + Color Box + Shrink
H2: Metal Case+ Color Sleeve + Shrink

MINI DOLPHIN RATCHET HANDLE



Can be used
in narrow
space



Smallest
Lightest
Thinnest

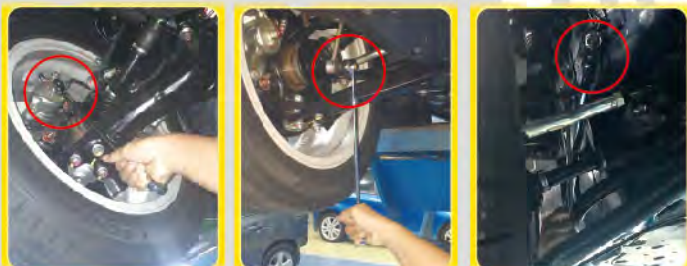


Portable
& Easy-carry

EXTRA LONG WRENCH SERIES



- ◆ Applicable for chassis repair
- ◆ Feasible option for aerial wngineering
- ◆ Extra-long shank for reaching fasteners easily with multi-angle in deep space



DIESEL INJECTION WRENCH

For specific diesel motorizations.

Suitable for fuel, oilbrake, hydraulic, O2 Sensor, A/C and auto tool work.



CM-520D
FLEXIBLE CROWFOOT SOCKET WRENCH
 1/2": 6-19, 21, 22, 23, 24, 27, 30, 32mm
 3/8": 6-19, 21, 22, 24mm

CM-520DEL-M6
DIESEL INJECTION WRENCH SET
 3/8": 12, 14, 16, 17, 18, 19mm



CM-520DE
FLEXIBLE E-TYPE SOCKET WRENCH
 3/8": E6, E8, E10, E12, E14, E16, E18, E20, E22, E24



CM-520DB
FLEXIBLE RING SOCKET WRENCH
 1/2": 6-19, 21, 22, 24, 27, 30, 32mm
 3/8": 6-19, 21, 22mm



CM-520DCF
CROWFOOT WRENCH
 3/8": 10-19mm



CM-518DW-M12
DOLPHIN WRENCH
 8-19MM



DOLPHIN WRENCH



Proper-fit lateral force applying system, it allows users to hold on wrench's wider side. Stronger torque with less effort.



CM-518DW



Traditional Wrench
Less strength and causing hand pain.



Dolphin Wrench
Ergonomic design, give out more strength with less effort.

CM-538A



CM-538R

CM-538S

CM-538RG

CM-518SW

Ergonomic Wrench Series



JIN TOOL

WRENCH SERIES



CM-520A FLEXIBLE FLARE NUT WRENCH

Open Double-Ring Wrench

- Made with chrome vanadium steel (6140)
- Mirror polish & satin finish
- Flexible head folds up to 230°
- Traditional flare nut wrench and crowfoot function
- Ergonomic design
- Suitable for all hydraulic, fuel, oil brake, A/C, O2 Sensor, auto tool and air line work.

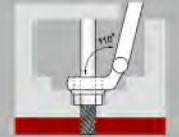
Bottom Flare Design



CM-520B DOUBLE FLEXIBLE FLARE NUT WRENCH

- Made with chrome vanadium steel (6140)
- Mirror polish & satin finish
- Flexible head folds up to 230°
- Traditional flare nut wrench and crowfoot function
- Ergonomic design
- Suitable for all hydraulic, fuel, oil brake, A/C, O2 Sensor, auto tool and air line work.

Bottom Flare Design



METRIC		SAE	
SIZE	Length(mm)	SIZE	Length(mm)
6	123.0	1/4"	123.0
7	123.0	5/16"	128.0
8	128.0	3/8"	128.0
9	128.0	7/16"	148.0
10	128.0	1/2"	148.0
11	148.0	9/16"	175.0
12	148.0	5/8"	190.0
13	175.0	11/16"	190.0
14	175.0	3/4"	190.0
15	175.0	13/16"	218.0
16	190.0	7/8"	218.0
17	190.0	15/16"	235.0
18	190.0	1"	270.0
19	190.0	1-1/16"	270.0
21	218.0		
22	218.0		
24	235.0		
27	270.0		

ITEM NO.	CONTENTS
CM-520A-M4	8-10-11-12
CM-520A-M5	8-9-10-11-12
CM-520A-M7	8-10-11-12-13-14-17
CM-520A-S4	5/16"-3/8"-7/16"-1/2"
CM-520A-S5	5/16"-3/8"-7/16"-1/2"-9/16"
CM-520A-S7	5/16"-3/8"-7/16"-1/2"-9/16"-5/8"-11/16"

METRIC		SAE	
SIZE	Length(mm)	SIZE	Length(mm)
6x8	145.0	1/4"x5/16"	145.0
7x9	145.0	5/16"x7/16"	154.0
8x9	150.0	3/8"x7/16"	154.0
8x10	150.0	3/8"x1/2"	154.0
8x11	154.0	1/2"x9/16"	175.0
10x11	154.0	9/16"x5/8"	219.0
10x12	154.0	5/8"x11/16"	220.0
11x13	175.0	5/8"x3/4"	220.0
12x13	175.0	11/16"x3/4"	220.0
12x14	175.0	3/4"x13/16"	240.0
13x14	185.0	3/4"x7/8"	240.0
13x17	219.0	13/16"x15/16"	258.0
14x15	219.0	7/8"x15/16"	258.0
14x17	219.0		
14x19	219.0		
16x17	220.0		
16x18	220.0		
17x19	220.0		
18x19	220.0		
19x21	240.0		
19x22	240.0		
21x24	258.0		
22x24	258.0		
27x30	310.0		

ITEM NO.	CONTENTS
CM-520B-M3	10x12-13x14-15x17
CM-520B-M4	8x11-10x12-13x17-14x19
CM-520B-M6	8x9-10x11-12x13-14x15-16x17-18x19
CM-520B-S3	3/8"x7/16"-5/8"x11/16"-1/2"x9/16"
CM-520B-S4	5/16"x7/16"-3/8"x1/2"-9/16"x5/8"-11/16"x3/4"
CM-520B-S6	1/4"x5/16"-3/8"x7/16"-1/2"x9/16"-5/8"x11/16"-3/4"x13/16"-7/8"x15/16"

CM-520CFN FLARE NUT WRENCH

- Made with chrome vanadium steel (6140)
- Mirror polish & satin finish & matt finished
- Ergonomic design
- Suitable for all hydraulic, fuel, oil brake, A/C, O2 Sensor, auto tool and air line work.

Bottom Flare Design



CM-520NPAR FLEXIBLE RATCHET COMBINATION FLARE NUT WRENCH

- Made with chrome vanadium steel (6140)
- Mirror polished & silver satin finished
- Flat shaped body
- Ergonomic design
- 15° offset at open-end
- More extensive application range open-end
- Proper fit-lateral force applying system
- Deeper accessibility at ring head
- Accorded with DIN standard



METRIC		SAE	
SIZE	Length(mm)	SIZE	Length(mm)
8x9	150.0	5/16"x7/16"	154.0
8x10	150.0	3/8"x7/16"	154.0
10x11	154.0	3/8"x1/2"	154.0
10x12	154.0	1/2"x9/16"	175.0
11x13	175.0	9/16"x5/8"	219.0
12x13	175.0	5/8"x11/16"	220.0
12x14	175.0	5/8"x3/4"	220.0
14x15	185.0	11/16"x3/4"	220.0
14x17	219.0	3/4"x13/16"	240.0
16x17	220.0	3/4"x7/8"	240.0
17x19	220.0	13/16"x15/16"	258.0
18x19	220.0	7/8"x15/16"	258.0
19x21	240.0	13/16"x1"	276.0
19x22	240.0	7/8"x1"	310.0
22x24	258.0	1"x1-1/8"	270.0
24x27	270.0	1-1/8"x1-1/4"	290.0
30x32	290.0	1-3/16"x1-1/2"	320.0
32x36	320.0		

ITEM NO.	CONTENTS
CM-520CFN-M4	8x10-11x13-12x14-17x19 mm
CM-520CFN-M5	8x10-11x13-12x14-16x18-17x19 mm

METRIC		SAE	
SIZE	Length(mm)	SIZE	Length(mm)
6	140.0	5/16"	141.0
7	141.0	3/8"	153.0
8	141.0	7/16"	162.0
9	146.0	1/2"	176.0
10	153.0	9/16"	186.0
11	162.0	5/8"	205.0
12	167.0	11/16"	218.0
13	176.0	3/4"	238.0
14	186.0	13/16"	270.0
15	190.0	7/8"	292.0
16	205.0		
17	218.0		
18	228.0		
19	238.0		
20	270.0		
21	270.0		
22	292.0		

ITEM NO.	CONTENTS
CM-520NPR-M7	8-10-11-12-13-14-15-17 mm
CM-520NPR-M12	8-9-10-11-12-13-14-15-16-17-18-19 mm
CM-520NPR-S8	5/16"-3/8"-7/16"-1/2"-9/16"-5/8"-11/16"-3/4"

CM-538A 75° OFF BEAM FLEXIBLE FLARE NUT BOX END WRENCH

- Made with chrome vanadium steel (6140)
- Mirror polished & silver satin finished
- 75° off beam at fixed box end
- Flexible flare nut
- Ergonomic design
- Deeper accessibility at ring head
- Proper fit-lateral force applying system



CM-538H 75° OFF BEAM BOX END WRENCH

- Made with chrome vanadium steel (6140)
- Mirror polished & silver satin finished & matt finished
- Single wrench head
- 75° off beam box end
- Plastic wrapped handle
- Ergonomic design



METRIC		SAE	
SIZE	Length(mm)	SIZE	Length(mm)
8	186.0	5/16"	186.0
9	186.0	3/8"	186.0
10	186.0	7/16"	210.0
11	210.0	1/2"	210.0
12	210.0	9/16"	232.0
13	232.0	5/8"	258.0
14	232.0	11/16"	258.0
15	232.0	3/4"	290.0
16	258.0		
17	258.0		
18	290.0		
19	290.0		

ITEM NO.	CONTENTS
CM-538A-M4	8-10-12-13 mm
CM-538A-M7	8-9-10-11-12-13-14 mm
CM-538A-S8	5/16"-3/8"-7/16"-1/2"-9/16"-5/8"-11/16"-3/4"

METRIC		SAE	
SIZE	Length(mm)	SIZE	Length(mm)
8	165.0	5/16"	165.0
9	165.0	3/8"	165.0
10	165.0	7/16"	165.0
11	165.0	1/2"	185.0
12	185.0	9/16"	200.0
13	185.0	5/8"	220.0
14	200.0	11/16"	220.0
15	200.0	3/4"	260.0
16	220.0		
17	220.0		
18	260.0		
19	260.0		

ITEM NO.	CONTENTS
CM-538H-M7	8-10-12-13-14-17-19 mm
CM-538H-M12	8-9-10-11-12-13-14-15-16-17-18-19 mm
CM-538H-S7	5/16"-3/8"-7/16"-1/2"-9/16"-11/16"-3/4"

CM-538R 75° FLEXIBLE RATCHET-RING WRENCH (12PT)

- Made with chrome vanadium steel (6140)
- Mirror polished & silver satin finished
- Flexible ratchet end
- 75° off beam at fixed box end
- Ergonomic design
- Proper fit-lateral force applying system
- Deeper accessibility at ring head



CM-538S 75° BOX END FLEXIBLE SOCKET WRENCH

- Made with chrome vanadium steel (6140)
- Mirror polished & silver satin finished
- 75° off beam at fixed box end
- Flexible socket end, can be folded up to 140°
- Ergonomic design
- Deeper accessibility at ring head



METRIC		SAE	
SIZE	Length(mm)	SIZE	Length(mm)
8	190.0	5/16"	190.0
9	191.0	3/8"	193.0
10	193.0	7/16"	214.0
11	214.0	1/2"	220.0
12	215.0	9/16"	235.0
13	220.0	5/8"	256.0
14	235.0	11/16"	260.0
15	237.0	3/4"	298.0
16	256.0		
17	260.0		
18	295.0		
19	298.0		

METRIC		SAE	
SIZE	Length(mm)	SIZE	Length(mm)
8	180.0	5/16"	180.0
9	180.0	3/8"	182.0
10	182.0	7/16"	180.0
11	182.0	1/2"	205.0
12	205.0	9/16"	222.0
13	205.0	5/8"	240.0
14	222.0	11/16"	240.0
15	222.0	3/4"	280.0
16	240.0		
17	240.0		
18	280.0		
19	280.0		

ITEM NO.	CONTENTS
CM-538R-M7	8-10-11-12-13-14-17 mm
CM-538R-M12	8-9-10-11-12-13-14-15-16-17-18-19 mm
CM-538R-S7	5/16"-3/8"-7/16"-1/2"-9/16"-5/8"-11/16"

ITEM NO.	CONTENTS
CM-538S-M7	8-10-12-13-14-17-19 mm
CM-538S-M12	8-9-10-11-12-13-14-15-16-17-18-19 mm
CM-538S-S8	5/16"-3/8"-7/16"-1/2"-9/16"-5/8"-11/16"-3/4"

CM-518SW DOLPHIN SOCKET WRENCH

- Made with chrome vanadium steel (6140)
- Mirror polished & silver satin finished
- One open end, one flexible socket end
- Ergonomic design
- Flat shaped body
- Proper fit-lateral force applying system
- Deeper accessibility at ring head



CM-518DW DOLPHIN WRENCH

- Made with chrome vanadium steel (6140)
- Mirror polished & silver satin finished
- Flat shaped body
- Ergonomic design
- 15° offset at open-end
- More extensive application range open-end
- Proper fit-lateral force applying system
- Deeper accessibility at ring head
- Accorded with DIN-standard



METRIC		SAE	
SIZE	Length(mm)	SIZE	Length(mm)
8	155.0	5/16"	155.0
9	160.0	3/8"	174.0
10	174.0	7/16"	176.0
11	176.0	1/2"	195.0
12	188.0	9/16"	205.0
13	195.0	5/8"	225.0
14	205.0	11/16"	236.0
15	210.0	3/4"	265.0
16	225.0		
17	236.0		
18	250.0		
19	265.0		

ITEM NO.	CONTENTS
CM-518SW-M7	8-10-12-13-14-17-19 mm
CM-518SW-M12	8-9-10-11-12-13-14-15-16-17-18-19 mm
CM-518SW-S7	5/16"-3/8"-7/16"-1/2"-9/16"-5/8"-11/16"

METRIC		SAE	
SIZE	Length(mm)	SIZE	Length(mm)
6	132.0	1/4"	132.0
7	132.0	5/16"	141.0
8	141.0	3/8"	153.0
9	146.0	7/16"	162.0
10	153.0	1/2"	176.0
11	162.0	9/16"	186.0
12	167.0	5/8"	205.0
13	176.0	11/16"	218.0
14	186.0	3/4"	238.0
15	190.0	13/16"	270.0
16	205.0	7/8"	292.0
17	218.0	15/16"	304.0
18	228.0	1"	304.0
19	238.0	1-1/32"	356.0
20	270.0	1-1/16"	356.0
21	270.0	1-1/8"	356.0
22	292.0	1-3/16"	406.0
23	292.0	1-1/4"	406.0
24	304.0	1-5/16"	416.0
25	304.0	1-3/8"	426.0
26	356.0	1-7/16"	426.0
27	356.0		
28	356.0		
29	406.0		
30	406.0		
32	406.0		
33	416.0		
34	416.0		
35	426.0		
36	426.0		

ITEM NO.	CONTENTS
CM-518DW-M7	8-10-11-12-13-14-17 mm
CM-518DW-M8	8-10-12-13-14-15-17-19 mm
CM-518DW-M12	8-9-10-11-12-13-14-15-16-17-18-19 mm
CM-518DW-S8	5/16"-3/8"-7/16"-1/2"-9/16"-5/8"-11/16"-3/4"



DOLPHIN WRENCH

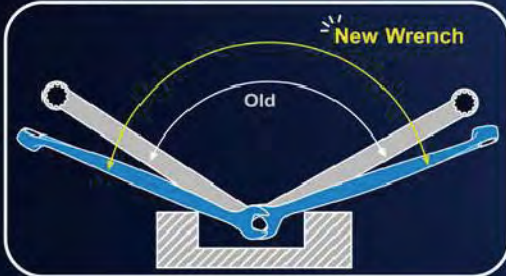
THE NEW GENERATION

ALL NEW DESIGN · ALL NEW PATENTED



• **New 15° offset design at open-end**

The 15° offset at open-end provides more convenient working space.



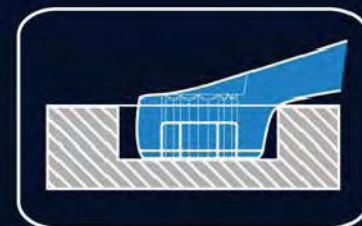
• **More extensive application range open-end**

Contrived geometry provides better accessibility.



• **Proper fit-lateral force applying system**

Allowing users to work with wider side of wrench to provide stronger torque with less stress.



• **Deeper accessibility ring head**

Contrived bottom flare shape provides better accessibility for reaching confined spaced nuts.



CM-520E DOUBLE FLEXIBLE E-TYPE WRENCH

Double Flexible Torx-star Wrench

- Made with chrome vanadium steel (6140)
- Mirror polish & satin finish
- Flexible head folds up to 200°
- Ergonomic design

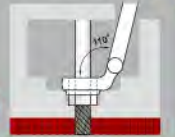


CM-520D FLEXIBLE CROWFOOT SOCKET WRENCH

Flexible Brake Line Wrench/Flexible Open Box Wrench

- Made with chrome vanadium steel (6140)
- Mirror polish & satin finish
- Flexible head folds up to 200°
- Traditional flare nut wrench and crowfoot function
- Combine use with F-bar, H-bar, T-bar, speed-handle...etc.
- Suitable for all hydraulic, fuel, oil brake, A/C, O2 Sensor, auto tool and air line work.

Bottom Flare Design



E Type	
SIZE	Length(mm)
E6 x E6	146.0
E6 x E8	146.0
E7 x E8	146.0
E8 x E10	146.0
E10 x E12	148.0
E12 x E14	152.0
E14 x E16	177.0
E14 x E18	177.0
E16 x E18	192.0
E18 x E20	192.0
E20 x E22	220.0
E20 x E24	220.0
E22 x E24	224.0

ITEM NO.	CONTENTS
CM-520E-E4S	E6xE8 -E10xE12-E14xE18-E20xE24
CM-520E-E5S	E6xE8 -E10xE12-E14xE16-E18xE20-E20xE24

METRIC			SAE		
SIZE	3/8"Dr Length	1/2"Dr Length	SIZE	3/8"Dr Length	1/2"Dr Length
6	45.0	52.0	1/4"	45.0	51.0
7	45.0	52.0	5/16"	49.0	52.0
8	49.0	52.0	3/8"	49.0	55.0
9	49.0	55.0	7/16"	53.0	59.0
10	49.0	55.0	1/2"	53.0	66.0
11	53.0	59.0	9/16"	60.0	66.0
12	53.0	59.0	5/8"	73.5	73.5
13	60.0	66.0	11/16"	73.5	73.5
14	60.0	66.0	3/4"	73.5	73.5
15	60.0	66.0	13/16"	85.0	80.0
16	73.5	73.5	7/8"	85.0	80.0
17	73.5	73.5	15/16"	91.0	82.0
18	73.5	73.5	1"		86.0
19	73.5	73.5	1-1/16"		86.0
21	85.0	80.0	1-1/8"		102.0
22	85.0	80.0	1-1/4"		102.0
24	91.0	82.0			
27		86.0			
30		102.0			
32		102.0			

ITEM NO.	CONTENTS
CM-520D-M10	8-9-10-11-12-13-14-15-17-19
CM-520D-M12	8-9-10-11-12-13-14-15-16-17-18-19
CM-520D-S8	5/16"-3/8"-7/16"-1/2"-9/16"-5/8"-11/16"-3/4"
CM-520D-S12	1/4"-5/16"-3/8"-7/16"-1/2"-9/16"-5/8"-11/16"-3/4"-13/16"-7/8"-15/16"

ITEM NO.	CONTENTS
CM-520D-M9	17-18-19-21-22-24-27-30-32
CM-520D-M13	13-14-15-16-17-18-19-21-22-24-27-30-32
CM-520D-S9	11/16"-3/4"-13/16"-7/8"-15/16"-1"-(1-1/16)"-(1-1/8)"-(1-1/4)"
CM-520D-S12	1/2"-9/16"-5/8"-11/16"-3/4"-13/16"-7/8"-15/16"-1"-(1-1/16)"-(1-1/8)"-(1-1/4)"

CM-520DB FLEXIBLE RING SOCKET WRENCH

Flexible Crowfoot Box End Socket Wrench

- Made with chrome vanadium steel (6140)
- Mirror polish & satin finish
- Flexible head folds up to 200°
- Replace 0, 15, 45, 75 degree's box end wrench
- Combine use with F-bar, H-bar, T-bar, speed-handle...etc.

Bottom Flare Design



CM-520DE FLEXIBLE E-TYPE SOCKET WRENCH

Torx-star Flexible Socket Wrench

- Made with chrome vanadium steel (6140)
- Mirror polish & satin finish
- Flexible head folds up to 200°
- Ergonomic design
- Replacement traditional torx-star wrench & socket
- Combine use with F-bar, H-bar, T-bar, speed-handle...etc.

Bottom Flare Design



METRIC			SAE		
SIZE	3/8"Dr Length	1/2"Dr Length	SIZE	3/8"Dr Length	1/2"Dr Length
6	45.0	52.0	1/4"	45.0	51.0
7	45.0	52.0	5/16"	49.0	52.0
8	49.0	52.0	3/8"	49.0	55.0
9	49.0	55.0	7/16"	53.0	59.0
10	49.0	55.0	1/2"	53.0	66.0
11	53.0	59.0	9/16"	60.0	66.0
12	53.0	59.0	5/8"	73.5	73.5
13	60.0	66.0	11/16"	73.5	73.5
14	60.0	66.0	3/4"	73.5	73.5
15	60.0	66.0	13/16"	85.0	80.0
16	73.5	73.5	7/8"	85.0	80.0
17	73.5	73.5	15/16"		82.0
18	73.5	73.5	1"		86.0
19	73.5	73.5	1-1/16"		86.0
21	85.0	80.0	1-1/8"		102.0
22	85.0	80.0	1-1/4"		102.0
24		82.0			
27		86.0			
30		102.0			
32		102.0			

E Type		
SIZE	3/8"Dr Length	1/2"Dr Length
E5	45.0	45.0
E6	45.0	45.0
E7	45.0	45.0
E8	45.0	45.0
E10	45.0	45.0
E11	49.0	49.0
E12	49.0	49.0
E14	49.0	49.0
E16	53.0	53.0
E18	60.0	60.0
E20	60.0	60.0
E22	60.0	60.0
E24	60.0	60.0

ITEM NO.(3/8")	CONTENTS
CM-520E-E10	E6-E8-E10-E12-E14-E16-E18-E20-E22-E24

ITEM NO.(1/2")	CONTENTS
CM-520E-E10	E6-E8-E10-E12-E14-E16-E18-E20-E22-E24

ITEM NO.(3/8")	CONTENTS
CM-520DB-M10	8-9-10-11-12-13-14-15-17-19
CM-520DB-M12	8-9-10-11-12-13-14-15-16-17-18-19
CM-520DB-S8	5/16"-3/8"-7/16"-1/2"-9/16"-5/8"-11/16"-3/4"
CM-520DB-S12	1/4"-5/16"-3/8"-7/16"-1/2"-9/16"-5/8"-11/16"-3/4"-13/16"-7/8"-15/16"

ITEM NO.(1/2")	CONTENTS
CM-520DB-M10	16-17-18-19-21-22-24-27-30-32
CM-520DB-M13	13-14-15-16-17-18-19-21-22-24-27-30-32
CM-520DB-S9	11/16"-3/4"-13/16"-7/8"-15/16"-1"-(1-1/16)"-(1-1/8)"-(1-1/4)"
CM-520DB-S12	1/2"-9/16"-5/8"-11/16"-3/4"-13/16"-7/8"-15/16"-1"-(1-1/16)"-(1-1/8)"-(1-1/4)"

CM-520DCF FLARE-NUT CROWFOOT WRENCH

- Made with chrome vanadium steel (6140)
- Mirror polished & silver satin finished & matt finished & blask finished
- Accorded with DIN / ANSI standard



CM-538RG 75° FLEXIBLE RATCHET-RING WRENCH

- Made with chrome vanadium steel (6140)
- Mirror polished & silver satin finished
- Flexible ratchet end
- 75° off beam at fixed box end
- C ring inside each wrench head
- Ergonomic design
- Proper-fit lateral force applying system
- Deeper accessibility at ring head



METRIC		SAE	
SIZE	Length(mm)	SIZE	Length(mm)
10	36.5	3/8"	36.5
11	36.5	7/16"	36.5
12	36.5	1/2"	36.5
13	36.5	9/16"	41.5
14	41.5	5/8"	41.5
15	41.5	11/16"	45.7
16	41.5	3/4"	45.7
17	45.7	13/16"	53.0
18	45.7	7/8"	55.6
19	45.7		
20	53.0		
21	53.0		
22	55.6		

METRIC	
SIZE	Length(mm)
13mm(1/4")	210.0
20mm(3/8")	300.0

ITEM NO.	CONTENTS
CM-520DCF-M10	10-11-12-13-14-15-16-17-18-19 mm
CM-520DCF-M12	10-11-12-13-14-15-16-17-18-19 mm EXTENSION BAR-FLEXIBLE EXTENSION BAR

CM-520NPRG FLEXIBLE RATCHET WRENCH

- Made with chrome vanadium steel (6140)
- Mirror polished & silver satin finished
- Flexible ratchet end
- C ring inside each wrench head
- Ergonomic design
- Deeper accessibility at ring head



METRIC	
SIZE	Length(mm)
13mm(3/8")	162.0
20mm(1/2")	217.0

CM-ASW LONG STANDARD COMBINATION WRENCH U.S.A. TYPE

- Made with chrome vanadium steel (6140)
- Mirror polished & silver satin finished & matt finished
- Ergonomic design
- Accorded with ANSI standard



METRIC		SAE	
SIZE	Length(mm)	SIZE	Length(mm)
6	21.0	1/4"	21.0
7	25.0	5/16"	32.0
8	32.0	3/8"	46.0
9	46.0	7/16"	62.0
10	48.0	1/2"	71.0
11	62.0	9/16"	95.0
12	70.0	5/8"	124.0
13	71.0	11/16"	155.0
14	95.0	3/4"	176.0
15	124.0	13/16"	233.0
16	124.0	7/8"	287.0
17	155.0	15/16"	332.0
18	176.0	1"	422.0
19	176.0	1-1/32"	422.0
20	233.0	1-1/16"	512.0
21	233.0	1-1/8"	664.0
22	287.0	1-1/4"	847.0
23	332.0		
24	332.0		
25	422.0		
26	422.0		
27	512.0		
28	664.0		
29	664.0		
30	664.0		
32	847.0		

CM-520BRG DOUBLE FLEXIBLE RATCHET-RING WRENCH

- Made with chrome vanadium steel (6140)
- Mirror polished & silver satin finished
- Double flexible wrench heads
- One ratchet end, one ring end
- C ring inside each wrench head
- Ergonomic design



METRIC	
SIZE	Length(mm)
13mm(3/8")	183.0
20mm(1/2")	240.0

ITEM NO.	CONTENTS
CM-ASW-M7	8-10-11-12-13-14-17 mm
CM-ASW-M12	6-7-8-9-10-11-12-13-14-15-17-19 mm
CM-ASW-S7	5/16"-3/8"-7/16"-1/2"-9/16"-5/8"-11/16"
CM-ASW-S12	1/4"-5/16"-3/8"-7/16"-1/2"-9/16"-5/8"-11/16"-3/4"-13/16"-7/8"-1"

CM-520K1 MULTI-FUNCTIONAL WRENCH

- Made with chrome vanadium steel (6140)
- Mirror polish & satin finish
- Flexible head folds up to 180°
- Ergonomic design
- Replace traditional:
 1. Quickly release function
 2. Socket wrench
 3. Bit's speed bar
 4. Socket speed bar
 5. T-bar function
 6. Flexible head function
 7. Universal joint
 8. 150° mm extension bar
 9. Flexible hex angle wrench
 10. Screwdriver function



CM-520K2 MULTI-FUNCTIONAL WRENCH

- Made with chrome vanadium steel (6140)
- Mirror polished & satin finished
- Ergonomic design
- Replace traditional:
 - Flexible head folds up to 180°
 - 1. Bit wrench & quick release function
 - 2. Socket wrench
 - 3. Bit's speed bar
 - 4. Socket speed bar
 - 5. T-bar function
 - 6. Flexible head function
 - 7. 150° mm extension
 - 8. Flexible hex angle wrench
 - 9. Screwdriver function
 - 10. Whole length of socket (1/4"SQ): 25mm w/ socket holder: 34mm.
 - 11. Whole length of bit (1/4"SQ): 25mm w/ bit holder: 25mm.



CM-3113A COMBINATION WRENCH EUROPE TYPE

- Made with chrome vanadium steel (6140)
- Mirror polished & silver satin finished
- Hot drop-forged and heat-treated
- Ergonomic design
- Flat shaped body
- Ergonomic desi
- More extensive application range open-end
- Proper fit-lateral force applying system
- Deeper accessibility at ring head



CM-3110 DOUBLE OPEN WRENCH EURO TYPE

- Made with chrome vanadium steel (6140)
- Mirror polished & silver satin finished & matt finished
- Accorded with DIN standard



METRIC			
SIZE	Length(mm)	SIZE	Length(mm)
6	105.0	24	285.0
7	115.0	25	295.0
8	125.0	26	305.0
9	135.0	27	315.0
10	145.0	28	325.0
11	155.0	29	335.0
12	165.0	30	345.0
13	175.0	32	365.0
14	185.0	33	378.0
15	195.0	34	378.0
16	205.0	35	408.0
17	215.0	36	408.0
18	225.0	37	408.0
19	235.0	38	430.0
20	245.0	40	458.0
21	255.0	41	458.0
22	265.0	46	498.0
23	275.0	50	538.0

METRIC	
SIZE	Length(mm)
6 x 7	123.0
8 x 9	140.0
10 x 11	156.0
12 x 13	172.0
14 x 15	190.0
16 x 17	204.0
18 x 19	221.0
20 x 22	237.0
21 x 23	247.0
24 x 27	263.0
25 x 28	279.0
30 x 32	298.0
30 x 34	350.0
32 x 36	350.0
36 x 41	380.0
38 x 42	380.0

ITEM NO.	CONTENTS
CM-3113A-M7	8-10-12-13-14-17-19 mm
CM-3113A-M12	8-9-10-11-12-13-14-15-16-17-18-19 mm
CM-3113A-M26	6-7-8-9-10-11-12-13-14-15-16-17-18-19-20-21-22-23-24-25-26-27-28-29-30-32

ITEM NO.	CONTENTS
CM-3110-M7	8X9-10X11-12X13-14X15-16X17-18X19-20X22

CM-PR45° 45° DOUBLE RING OFFSET WRENCH

- Made with chrome vanadium steel (6140)
- Mirror polished & silver satin finished & matt finished
- Ergonomic design
- Accorded with ANSI standard



CM-ELW EXTRA LONG OFFSET RING WRENCH

- Made with chrome vanadium steel (6140)
- Mirror polished & silver satin finished
- Deeper accessibility at ring head



METRIC	
SIZE	Length(mm)
6 x 7	161.0
8 x 9	170.0
8 x 10	170.0
8 x 11	170.0
10 x 11	170.0
10 x 12	192.0
11 x 13	223.0
12 x 13	223.0
12 x 14	223.0
14 x 15	250.0
14 x 17	250.0
16 x 17	250.0
17 x 19	284.0
18 x 19	284.0
19 x 21	300.0
20 x 22	320.0
21 x 23	340.0
22 x 24	340.0
23 x 26	380.0
24 x 26	365.0
25 x 28	370.0
26 x 29	395.0
27 x 30	395.0
26 x 32	395.0
29 x 32	395.0
30 x 32	395.0
32 x 36	440.0
32 x 38	440.0

METRIC	
SIZE	Length(mm)
8 x 10	235.0
10 x 11	291.0
10 x 12	291.0
11 x 13	328.0
12 x 14	328.0
13 x 15	368.0
14 x 17	368.0
16 x 18	407.0
17 x 19	407.0
19 x 21	415.0
22 x 24	430.0

ITEM NO.	CONTENTS	PACKING
CM-ELW-M6	10x11-12x14-13x15-16x18-17x19-22x24 mm	10SETS/18.3KGS/ 19.30KGS/9.4

ITEM NO.	CONTENTS	PACKING
CM-PR45°	6X7-8X9-10X11-12X13-14X15-16X17-18X19-20X22	15SETS/19KGS/ 19.5KGS/1.68

CM-838 75°DOUBLE RING OFFSET WRENCH

- Made with chrome vanadium steel (6140)
- Mirror polished & silver satin finished & matt finished
- Ergonomic design
- More extensive application range open-end
- Deeper accessibility at ring head



CM-HMW HALF MOON RING WRENCH

- Made with chrome vanadium steel (6140)
- Mirror polished & silver satin finished & matt finished
- Ergonomic design



METRIC	
SIZE	Length(mm)
6 x 7	168.0
8 x 9	183.0
8 x 10	183.0
10 x 11	198.0
10 x 12	198.0
11 x 13	217.0
12 x 13	217.0
12 x 14	217.0
14 x 15	239.0
14 x 17	260.0
16 x 17	260.0
17 x 19	292.0
18 x 19	292.0
19 x 21	318.0
19 x 22	318.0
20 x 22	318.0
21 x 23	327.0
22 x 24	327.0
23 x 26	339.0
24 x 26	339.0
24 x 27	339.0
25 x 28	347.0
30 x 32	362.0

METRIC		SAE	
SIZE	Length(mm)	SIZE	Length(mm)
8x9	142.0	5/16"x3/8"	142.0
10x11	142.0	3/8"x7/16"	142.0
10x12	142.0	7/16"x1/2"	164.0
11x13	164.0	9/16"x5/8"	190.0
12x13	164.0	11/16"x3/4"	216.0
12x14	164.0	13/16"x7/8"	255.0
13x15	190.0		
14x15	190.0		
14x16	190.0		
14x17	190.0		
15x17	216.0		
16x18	216.0		
17x19	216.0		
18x19	255.0		
19x21	255.0		
19x22	255.0		

ITEM NO.	CONTENTS	PACKING
CM-838-M8	6X7-8X9-10X11-12X13- 14X15-16X17-18X19-20X22 mm	15SETS/24.5KGS/ 25.1KGS/1.66



JIN TOOL

SOCKET SET SERIES



METAL CASE SERIES

1/4" DR-SOCKET SET / TOOL KITS



CM-M1417-R (2017M)

17PCS 1/4"DR. SOCKET WRENCH SET
 12 - 1/4" DR. SOCKET: 4-4.5-5-5.5-6-7-8-9-10-11-12-13MM
 1 - 1/4" DR. QUICK - RELEASE RATCHET HANDLE 150MM
 1 - 1/4" DR. EXTENSION BAR 2"
 1 - 1/4" DR. SPINNER HANDLE 150MM
 1 - 1/4" DR. SLIDING T BAR 5"
 1 - 1/4" DR. EXTENSION BAR 2"
 1 - 1/4" DR. UNIVERSAL JOINT
 WITH METAL CASE



CM-M1436-R (2036M)

36PCS 1/4"DR. SOCKET WRENCH SET
 8 - 1/4" DR. DEEP SOCKET: 5-6-7-8-9-10-11-13MM
 1 - 1/4" DR. QUICK - RELEASE RATCHET HANDLE 150MM
 2 - 1/4" DR. EXTENSION BAR 2" & 4"
 1 - 1/4" DR. UNIVERSAL JOINT
 1 - 1/4" DR. x 1/4" (F) COUPLER
 4 - SLOTTED BIT: 3-4-5-5-7MM

4 - PHILLIPS BIT: NO.0-NO.1-NO.2-NO.3
 3 - POZI BIT: NO.1-NO.2-NO.3
 5 - TORX BIT: T10-T15-T20-T25-T30
 5 - HEX BIT: 2-3-4-5-6MM
 1 - BIT ADAPTER
 1 - METAL CASE



CM-M1440-R (2040M)

40PCS 1/4"DR. SOCKET WRENCH SET
 10 - 1/4" DR. SOCKET: 4-5-6-7-8-9-10-11-12-13MM
 3 - 1/4" DR. DEEP SOCKET: 7-8-10MM
 1 - 1/4" DR. QUICK - RELEASE RATCHET HANDLE 150MM
 1 - 1/4" DR. EXTENSION BAR 2"
 1 - 1/4" DR. EXTENSION BAR 6"
 1 - 1/4" DR. SPINNER HANDLE 150MM
 1 - 1/4" DR. FLEXIBLE EXTENSION BAR 6"
 1 - 1/4" DR. UNIVERSAL JOINT
 6 - 1/4" DR. TORX SOCKET BIT: T10-T20-T25-T27-T30-T40

4 - 1/4" DR. HEX SOCKET BIT: 3-4-5-6MM
 3 - 1/4" DR. SLOTTED SOCKET BIT: 4-5-5-7MM
 3 - 1/4" DR. PHILLIPS SOCKET BIT: NO.1-NO.2-NO.3
 4 - HEX KEY WRENCH: 1.25-1.5-2-2.5MM
 1 - METAL CASE



CM-M1426-R (2026M)

26PCS 1/4"DR. SOCKET WRENCH SET
 9 - 1/4" Dr. Sockets: 4-5-6-7-8-9-10-12-13mm
 1 - 1/4" Reversible Ratchet Handle 150mm (6")
 1 - 1/4" Spinner Handle 150 mm (6")
 1 - 1/4" Extension Bar 150mm (6")
 1 - 1/4" Extension Bar 75mm (3")
 1 - 1/4" Sliding T Bar 115 mm (4.6")

1 - 1/4" Universal Joint
 1 - 1/4" Coupler
 3 - 1/4" HEX BIT : H3-H4-H5
 4 - 1/4" Phillips Bit : PH0-PH1-PH2-PH3
 3 - 1/4" Slotted Bit : SL4-SL5.5-SL7

WITH METAL CASE



CM-M1417-R (2017M-1)

17PCS 1/4"DR. SOCKET WRENCH SET
 1 - 1/4" Dr. Quick Release Ratchet Handle 150mm (6")
 12 - 1/4" Dr. Socket 4-4.5-5-5.5-6-7-8-9-10-11-12-13mm
 1 - 1/4" Dr. E Socket E10
 1 - 1/4" Dr. Sliding T Bar 110mm
 1 - 1/4" Dr. Extension Bar 100mm (4")
 1 - 1/4" Universal Joint

WITH METAL CASE

METAL CASE SERIES

1/2" & 3/8" DR-SOCKET SET / TOOL KITS

	<p>CM-M143845-R (3045M)</p> <p>45PCS 1/4"DR. & 3/8"DR. SOCKET WRENCH SET 9 - 1/4" DR. SOCKET: 4-5-6-7-8-9-10-11-12MM 1 - 1/4" DR. SPINNER HANDLE 150MM 1 - 3/8" (F) x 1/4" (M) ADAPTER 13 - 3/8" DR. SOCKET: 9-10-11-12-13-14-15-17-19-20-21-22-24MM 1 - 3/8" DR. QUICK - RELEASE RATCHET HANDLE 200MM 1 - 3/8" DR. UNIVERSAL JOINT 1 - 3/8" DR. EXTENSION BAR 75MM 1 - 3/8" DR. SPARK PLUG SOCKET 16MM 6 - 1/4" DR. TORX SOCKET BIT: T10-T20-T25-T27-T30-T40</p> <p>4 - 1/4" DR. HEX SOCKET BIT: 3-4-5-6MM 3 - 1/4" DR. SLOTTED SOCKET BIT: 4-5-5-7MM 3 - 1/4" DR. PHILLIPS SOCKET BIT: NO.1-NO.2-NO.3 1 - METAL CASE</p>
	<p>CM-M1226-R (4026M)</p> <p>26PCS 1/2"DR. SOCKET WRENCH SET 20 - 1/2" DR. SOCKET: 8-9-10-11-12-13-14-15-16-17-18-19-20-21-22-23-24-27-30-32MM 1 - 1/2" DR. QUICK - RELEASE RATCHET HANDLE 250MM 1 - 1/2" DR. SLIDING T BAR 10" 1 - 1/2" DR. UNIVERSAL JOINT 1 - 1/2" DR. EXTENSION BAR 5" 1 - 1/2" DR. EXTENSION BAR 10" 1 - 1/2" DR. SPARK PLUG SOCKET 16MM WITH METAL CASE</p>
	<p>CM-M3820-R (3020M)</p> <p>20 PCS 3/8"DR. SOCKET WRENCH SET 14- 3/8" DR. SOCKET: 7-8-9-10-11-12-13-14-15-16-17-19-21-22 MM 1 - 3/8" DR. QUICK-RELEASE RATCHET HANDLE 200MM 1 - 3/8" DR. EXTENSION BAR 5" 1 - 3/8" DR. SPARK PLUG SOCKET 16MM 1 - 3/8" DR. SPARK PLUG SOCKET 21MM 1 - 3/8" DR. SLIDING T BAR 8" 1 - 3/8" DR. UNIVERSAL JOINT</p> <p>WITH METAL CASE</p>
	<p>M1209-TORX HBS (4009MTH)</p> <p>9pcs 1/2" DR TORX SOCKET BIT SET 9 - 1/2" DR. SOCKET BIT:T20-T25-T27-T30-T40-T45-T50-T55-T60</p> <p>WITH METAL CASE</p>
	<p>M1209-HEX HBS (4009MHH)</p> <p>9pcs 1/2" DR HEXAGEN SOCKET BIT SET 9 - 1/2" DR. SOCKET BIT:H3-H4-H5-H6-H7-H8-H10-H12-H14</p> <p>WITH METAL CASE</p>

METAL CASE SERIES

1/2" & 3/4" DR-SOCKET SET / TOOL KITS



CM-M1217-R (4017M)

17PCS 1/2"DR. SOCKET WRENCH SET
 13 - 1/2" DR. SOCKET:10-11-12-13-14-15-16-17-19-21-22-23-24mm
 1 - 1/2" DR. EXTENSION BAR 125mm (5")
 1 - 1/2" DR. SPARK PLUG SOCKET 21MM
 1 - 1/2" DR. SLIDING T - BAR
 1 - 1/2" DR. QUICK RELEASE RATCHET HANDLE

WITH METAL CASE



CM-M3414-Z (6014M)

14PCS 3/4" DR. SOCKET WRENCH SET
 10 - 3/4" Dr. Sockets: 22-24-27-30-32-36-38-41-46-50mm
 1 -3/4" Reversible Ratchet Handle 500mm (20")
 1 - 3/4" Sliding T Bar 450mm (18")
 1 - 3/4" Extension Bar 100mm (4")
 1 - 3/4" Extension Bar 200mm (8")

WITH METAL CASE



CM-538RG19-M17(3017M)

17PCS 75° Flexible Ratchet-Ring Wrench 19MM With Go Through Socket Set
 1 - 75° Flexible Ratchet-Ring Wrench 20mm
 12 - Go Through Socket
 8-9-10-11-12-13-14-15-16-17-18-19mm
 1 - 19mm*75mm Go Through Extension Bar
 1 - 1/4**19mm Go Through Adapter
 1 - 3/8**19mm Go Through Adapter
 1 - 1/2**19mm Go Through Adapter

WITH METAL CASE

BLOW MOLD CASE

1/4" DR-SOCKET SET / TOOL KITS



CM-B1417-R (2017)

17PCS 1/4"DR. SOCKET WRENCH SET
 12 - 1/4" DR. SOCKET: 4-4.5-5-5.5-6-7-8-9-10-11-12-13MM
 1 - 1/4" DR. QUICK - RELEASE RATCHET HANDLE 150MM
 1 - 1/4" DR. SPINNER HANDLE 150MM
 1 - 1/4" DR. SLIDING T BAR 5"
 1 - 1/4" DR. EXTENSION BAR 2"
 1 - 1/4" DR. UNIVERSAL JOINT
 WITH BLOW MOLD CASE



CM-B1422-R (2022)

22PCS 1/4"DR. SOCKET WRENCH SET
 11 - 1/4" DR. SOCKET: 4-4.5-5-6-7-8-9-10-11-12-13MM
 1 - 1/4" DR. QUICK - RELEASE RATCHET HANDLE 150MM
 1 - 1/4" DR. EXTENSION BAR 2"
 1 - 1/4" DR. SPINNER HANDLE 150MM
 1 - 1/4" DR. UNIVERSAL JOINT
 3 - 1/4" DR. SLOTTED SOCKET BIT: 4-5-5-7MM
 3 - 1/4" DR. PHILLIPS SOCKET BIT: NO.1-NO.2-NO.3
 1 - BLOW MOLD CASE



CM-B1428-R (2028)

28PCS 1/4"DR. SOCKET WRENCH SET
 12 - 1/4" DR. SOCKET: 4-4.5-5-5.5-6-7-8-9-10-11-12-13MM
 1 - 1/4" DR. QUICK - RELEASE RATCHET HANDLE 150MM
 1 - 1/4" DR. SLIDING T BAR 5"
 1 - 1/4" DR. EXTENSION BAR 2"
 1 - 1/4" DR. UNIVERSAL JOINT
 1 - 1/4" DR. SPINNER HANDLE 150MM

3 - 1/4" DR. PHILLIPS SOCKET BIT: NO.1-NO.2-NO.3
 3 - 1/4" DR. SLOTTED SOCKET BIT: 4-5-5-7MM
 5 - 1/4" DR. HEX SOCKET BIT: 3-4-5-6-7MM
 WITH BLOW MOLD CASE



CM-B1436-R (2036)

36PCS 1/4"DR. SOCKET WRENCH SET
 8 - 1/4" DR. DEEP SOCKET: 5-6-7-8-9-10-11-13MM
 1 - 1/4" DR. QUICK - RELEASE RATCHET HANDLE 150MM
 2 - 1/4" DR. EXTENSION BAR 2" & 4"
 1 - 1/4" DR. UNIVERSAL JOINT
 1 - 1/4" DR. x 1/4" (F) COUPLER
 4 - SLOTTED BIT: 3-4-5-5-7MM
 4 - PHILLIPS BIT: NO.0-NO.1-NO.2-NO.3

3 - POZI BIT: NO.1-NO.2-NO.3
 5 - TORX BIT: T10-T15-T20-T25-T30
 5 - HEX BIT: 2-3-4-5-6MM
 1 - BIT ADAPTER
 1 - BLOW MOLD CASE



CM-B1438-R (2038)

38PCS 1/4"DR. SOCKET WRENCH SET
 13 - 1/4" DR. SOCKET: 4-4.5-5-5.5-6-7-8-9-10-11-12-13-14MM
 8 - 1/4" DR. DEEP SOCKET: 5-6-7-8-9-10-11-13MM
 1 - 1/4" DR. QUICK - RELEASE RATCHET HANDLE 150MM
 1 - 1/4" DR. UNIVERSAL JOINT
 1 - 1/4" DR. SLIDING T BAR 5"
 1 - 1/4" DR. EXTENSION BAR 2"

3 - 1/4" DR. SLOTTED SOCKET BIT: 4-5-5-7MM
 3 - 1/4" DR. PHILLIPS SOCKET BIT: NO.1-NO.2-NO.3
 6 - 1/4" DR. HEX SOCKET BIT: 3-4-5-6-7-8MM
 1 - BLOW MOLD CASE

BLOW MOLD CASE

1/4" & 3/8" DR-SOCKET SET / TOOL KITS



CM-B1444-R (2044)

44PCS 1/4"DR. SOCKET WRENCH SET

- 8 - 1/4" DR. SOCKET: 4-5-6-8-9-10-11-13MM
- 8 - 1/4" DR. SOCKET: 3/16"-7/32"-1/4"-9/32"-5/16"-3/8"-7/16"-1/2"
- 1 - 1/4" DR. QUICK - RELEASE RATCHET HANDLE 150MM
- 2 - 1/4" DR. EXTENSION BAR 2" & 4"
- 1 - 1/4" DR. UNIVERSAL JOINT
- 1 - 1/4" DR. x 1/4" (F) COUPLER
- 4 - SLOTTED BIT: 3-4-5-5-7MM

- 4 - PHILLIPS BIT: NO.0-NO.1-NO.2-NO.3
- 3 - POZI BIT: NO.1-NO.2-NO.3
- 5 - TORX BIT: T10-T15-T20-T25-T30
- 5 - HEX BIT: 2-3-4-5-6MM
- 1 - BIT ADAPTER
- 1 - BLOW MOLD CASE



CM-B1446-R (2046)

CM-B1446-R (2046)

- 13 - 1/4" DR. SOCKET: 4-4.5-5-5.5-6-7-8-9-10-11-12-13-14MM
- 1 - 1/4" DR. QUICK - RELEASE RATCHET HANDLE 150MM
- 1 - 1/4" DR. SLIDING T BAR 5"
- 1 - 1/4" DR. SPINNER HANDLE 150MM
- 1 - 1/4" DR. EXTENSION BAR 3"
- 1 - 1/4" DR. EXTENSION BAR 2"
- 1 - 1/4" DR. FLEXIBLE EXTENSION BAR 150MM

- 1 - BIT ADAPTER
- 1 - 1/4" DR. UNIVERSAL JOINT
- 3 - HEX KEY WRENCH: 1.5-2-2.5MM
- 3 - 1/4" DR. SLOTTED SOCKET BIT: 4-5-5-7MM
- 3 - 1/4" DR. PHILLIPS SOCKET BIT: NO.1-NO.2-NO.3
- 6 - 1/4" DR. HEX SOCKET BIT: 3-4-5-6-7-8MM
- 6 - 1/4" DR. TORX SOCKET BIT: T10-T15-T20-T25-T27-T30
- 3 - 1/4" DR. POZI SOCKET BIT: NO.1-NO.2-NO.3
- 1 - BLOW MOLD CASE



CM-B3826-R (3026)

26PCS 3/8"DR. SOCKET WRENCH SET

- 18 - 3/8" DR. SOCKET: 6-7-8-9-10-11-12-13-14-15-16-17-18-19-20-21-22-24MM
- 1 - 3/8" DR. QUICK - RELEASE RATCHET HANDLE 200MM
- 1 - 3/8" DR. EXTENSION BAR 1-3/4"
- 1 - 3/8" DR. EXTENSION BAR 3"
- 1 - 3/8" DR. EXTENSION BAR 6"
- 1 - 3/8" DR. SPARK PLUG SOCKET 16MM
- 1 - 3/8" DR. SPARK PLUG SOCKET 21MM

- 1 - 3/8" DR. SLIDING T HEAD
- 1 - 3/8" DR. UNIVERSAL JOINT
- WITH BLOW MOLD CASE



CM-B3830-R (3030)

30PCS 3/8"DR. SOCKET WRENCH SET

- 18 - 3/8" DR. SOCKET: 6-7-8-9-10-11-12-13-14-15-16-17-18-19-20-21-22-24MM
- 6 - 3/8" DR. DEEP SOCKET: 8-9-10-12-13-14MM
- 1 - 3/8" DR. QUICK - RELEASE RATCHET HANDLE 200MM
- 1 - 3/8" DR. EXTENSION BAR 3"
- 1 - 3/8" DR. EXTENSION BAR 6"
- 1 - 3/8" DR. UNIVERSAL JOINT

- 1 - 3/8" DR. SPARK PLUG SOCKET 16MM
- 1 - 3/8" DR. SPARK PLUG SOCKET 21MM
- WITH BLOW MOLD CASE



CM-B143845-R (3045)

45PCS 1/4"DR. & 3/8"DR. SOCKET WRENCH SET

- 13 - 3/8" DR. SOCKET: 9-10-11-12-13-14-15-17-19-20-21-22-24MM
- 1 - 3/8" DR. QUICK - RELEASE RATCHET HANDLE 200MM
- 1 - 3/8" DR. UNIVERSAL JOINT
- 1 - 3/8" DR. EXTENSION BAR 75MM
- 1 - 3/8" DR. SPARK PLUG SOCKET 16MM
- 9 - 1/4" DR. SOCKET: 4-5-6-7-8-9-10-11-12MM
- 1 - 1/4" DR. SPINNER HANDLE 150MM
- 6 - 1/4" DR. TORX SOCKET BIT: T10-T20-T25-T27-T30-T40

- 1 - 3/8" (F) x 1/4" (M) ADAPTER
- 4 - 1/4" DR. HEX SOCKET BIT: 3-4-5-6MM
- 3 - 1/4" DR. SLOTTED SOCKET BIT: 4-5-5-7MM
- 3 - 1/4" DR. PHILLIPS SOCKET BIT: NO.1-NO.2-NO.3
- 1 - BLOW MOLD CASE

BLOW MOLD CASE

1/2" & 3/8" DR-SOCKET SET / TOOL KITS

	<p>CM-B143850-R (3050)</p> <p>50PCS 1/4"DR. & 3/8"DR. SOCKET WRENCH SET</p> <p>17 - 3/8" DR. SOCKET: 6-7-8-9-10-11-12-13-14-15-16-17-18-19-20-21-22MM</p> <p>1 - 3/8" DR. QUICK - RELEASE RATCHET HANDLE 200MM</p> <p>2 - 3/8" DR. SPARK PLUG SOCKET 16MM & 21MM</p> <p>2 - 3/8" DR. EXTENSION BAR 3" & 6"</p> <p>1 - 3/8" DR. UNIVERSAL JOINT</p> <p>1 - 3/8" DR. x 1/4" (F) COUPLER</p> <p>1 - 1/4" DR. x 1/4" (F) COUPLER</p> <p>1 - 1/4" DR. SPINNER HANDLE 150MM</p> <p>1 - 3/8" (F) x 1/4" (M) ADAPTER</p> <p>4 - SLOTTED BIT: 3-4-5-5-7MM</p> <p>4 - PHILLIPS BIT: NO.0-NO.1-NO.2-NO.3</p> <p>3 - POZI BIT: NO.1-NO.2-NO.3</p> <p>5 - TORX BIT: T10-T15-T20-T25-T30</p> <p>6 - HEX BIT: 2-3-4-5-6-7MM</p> <p>1 - BLOW MOLD CASE</p>
	<p>CM-B3852-R (3052)</p> <p>52PCS 3/8"DR. SOCKET WRENCH SET</p> <p>17 - 3/8" DR. SOCKET: 6-7-8-9-10-11-12-13-14-15-16-17-18-19-20-21-22MM</p> <p>1 - 3/8" DR. QUICK - RELEASE RATCHET HANDLE 200MM</p> <p>2 - 3/8" DR. EXTENSION BAR 3" & 6"</p> <p>1 - 3/8" DR. x 1/4" (F) COUPLER</p> <p>1 - 3/8" DR. UNIVERSAL JOINT</p> <p>2 - 3/8" DR. SPARK PLUG SOCKET 16MM & 21MM</p> <p>8 - TORX BIT: T10-T15-T20-T25-T27-T30-T40-T45</p> <p>5 - PHILLIPS BIT: NO.0-NO.1-NO.2-NO.3-NO.4</p> <p>5 - SLOTTED BIT: 3-4-5-5-6-7MM</p> <p>3 - POZI BIT: NO.1-NO.2-NO.3</p> <p>6 - HEX BIT: 3-4-5-6-7-8MM</p> <p>1 - BLOW MOLD CASE</p>
	<p>CM-B1222-R (4022)</p> <p>22PCS 1/2"DR. SOCKET WRENCH SET</p> <p>15 - 1/2" DR. SOCKET: 10-11-12-13-14-15-16-17-18-19-22-24-27-30-32MM</p> <p>1 - 1/2" DR. QUICK - RELEASE RATCHET HANDLE 250MM</p> <p>1 - 1/2" DR. EXTENSION BAR 10"</p> <p>1 - 1/2" DR. EXTENSION BAR 5"</p> <p>2 - 1/2" DR. SPARK PLUG SOCKET 16MM & 21MM</p> <p>1 - 1/2" DR. SLIDING T HEAD</p> <p>1 - 1/2" DR. UNIVERSAL JOINT</p> <p>WITH BLOW MOLD CASE</p>
	<p>CM-B1225-R (4025)</p> <p>25PCS 1/2"DR. SOCKET WRENCH SET</p> <p>18 - 1/2" DR. SOCKET: 10-11-12-13-14-15-16-17-18-19-20-21-22-23-24-27-30-32MM</p> <p>1 - 1/2" DR. QUICK - RELEASE RATCHET HANDLE 250MM</p> <p>1 - 1/2" DR. SLIDING T BAR 10"</p> <p>1 - 1/2" DR. UNIVERSAL JOINT</p> <p>1 - 1/2" DR. EXTENSION BAR 5"</p> <p>1 - 1/2" DR. EXTENSION BAR 10"</p> <p>1 - 1/2" DR. FLEXIBLE HANDLE 375MM</p> <p>1 - BLOW MOLD CASE</p>
	<p>CM-B1226-R (4026)</p> <p>26PCS 1/2"DR. SOCKET WRENCH SET</p> <p>20 - 1/2" DR. SOCKET: 8-9-10-11-12-13-14-15-16-17-18-19-20-21-22-23-24-27-30-32MM</p> <p>1 - 1/2" DR. QUICK RELEASE RATCHET HANDLE 250MM</p> <p>1 - 1/2" DR. SLIDING T BAR 10"</p> <p>1 - 1/2" DR. UNIVERSAL JOINT</p> <p>1 - 1/2" DR. EXTENSION BAR 5"</p> <p>1 - 1/2" DR. EXTENSION BAR 10"</p> <p>1 - 1/2" DR. SPARK PLUG SOCKET 16MM</p> <p>WITH BLOW MOLD CASE</p>

BLOW MOLD CASE

1/2" DR-SOCKET SET / TOOL KITS



CM-B121456-R (4056)

56PCS 1/2"DR. & 1/4"DR. SOCKET WRENCH SET

- 13 - 1/2" DR. SOCKET:
- 10-11-12-13-14-15-17-19-22-24-27-30-32MM
- 1 - 1/2" DR. QUICK - RELEASE RATCHET HANDLE 250MM
- 1 - 1/2" DR. EXTENSION BAR 5"
- 1 - 1/2" DR. EXTENSION BAR 10"
- 1 - 1/2" DR. SLIDING T HEAD
- 1 - 1/2" DR. UNIVERSAL JOINT
- 1 - 1/2" DR. SPARK PLUG SOCKET 16MM
- 11 - 1/4" DR. SOCKET: 4-4.5-5-5.5-6-7-8-9-10-11-13MM

- 1 - 1/4" DR. QUICK - RELEASE RATCHET HANDLE 150MM
- 1 - 1/4" DR. EXTENSION BAR 3"
- 1 - 1/4" DR. SPINNER HANDLE 150MM
- 1 - 1/4" DR. UNIVERSAL JOINT
- 4 - 1/4" DR. PHILLIPS SOCKET BIT: NO.0-NO.1-NO.2-NO.3
- 4 - 1/4" DR. HEX SOCKET BIT: 3-4-5-6MM
- 3 - 1/4" DR. SLOTTED SOCKET BIT: 4-5.5-7MM
- 7 - 1/4" DR. TORX SOCKET BIT: T10-T15-T20-T25-T27-T30-T40
- 3 - HEX KEY WRENCH: 1.5-2-2.5MM
- 1 - BLOW MOLD CASE



CM-B121494-R (4094)

94PCS 1/2"DR. & 1/4"DR. SOCKET WRENCH SET

- 13 - 1/4" DR. SOCKET: 4-4.5-5-5.5-6-7-8-9-10-11-12-13-14MM
- 1 - 1/4" DR. QUICK-RELEASE RATCHET HANDLE 150MM
- 2 - 1/4" DR. EXTENSION BAR 2" & 4"
- 1 - 1/4" DR. FLEXIBLE EXTENSION BAR 150MM
- 1 - 1/4" DR. UNIVERSAL JOINT
- 1 - 1/4" DR. SLIDING T BAR 5"
- 1 - 1/4" DR. SPINNER HANDLE 150MM
- 8 - 1/4" DR. DEEP SOCKET: 6-7-8-9-10-11-12-13MM
- 4 - 1/4" DR. HEX SOCKET BIT: 3-4-5-6MM
- 6 - 1/4" DR. TORX SOCKET BIT: T10-T15-T20-T25-T27-T30
- 3 - 1/4" DR. SLOTTED SOCKET BIT: 4-5.5-6.5MM
- 2 - 1/4" DR. PHILLIPS SOCKET BIT: NO.1-NO.2
- 2 - 1/4" DR. POZI SOCKET BIT: NO.1-NO.2
- 18 - 1/2" DR. SOCKET:
- 10-11-12-13-14-15-16-17-18-19-20-21-22-23-24-27-30-32MM

- 1 - 1/2" DR. QUICK-RELEASE RATCHET HANDLE 250MM
- 2 - 1/2" DR. EXTENSION BAR 5" & 10"
- 1 - 1/2" DR. SLIDING T HEAD
- 1 - 1/2" DR. UNIVERSAL JOINT
- 2 - 1/2" DR. SPARK PLUG SOCKET 16 & 21MM
- 3 - HEX KEY WRENCH: 1.5-2-2.5MM
- 4 - 1/2" DR. DEEP SOCKET: 14-15-17-19MM
- 1 - 1/2" DR. x 5/16" (F) COUPLER
- 2 - 5/16" DR. PHILLIPS BIT: (L: 30MM): NO.3-NO.4
- 2 - 5/16" DR. POZI BIT: (L: 30MM): NO.3-NO.4
- 3 - 5/16" DR. SLOTTED BIT: (L: 30MM): 8-10-12MM
- 4 - 5/16" DR. TORX BIT: (L: 30MM): T40-T45-T50-T55
- 5 - 5/16" DR. HEX BIT: (L: 30MM): 7-8-10-12-14MM
- 1 - BLOW MOLD CASE



CM-B121494-R (4094)-Low Cost Option

94PCS 1/2"DR. & 1/4"DR. SOCKET WRENCH SET

- 13 - 1/4" DR. SOCKET: 4-4.5-5-5.5-6-7-8-9-10-11-12-13-14MM
- 1 - 1/4" DR. QUICK-RELEASE RATCHET HANDLE 150MM
- 2 - 1/4" DR. EXTENSION BAR 2" & 4"
- 1 - 1/4" DR. FLEXIBLE EXTENSION BAR 150MM
- 1 - 1/4" DR. UNIVERSAL JOINT
- 1 - 1/4" DR. SLIDING T BAR 5"
- 1 - 1/4" DR. SPINNER HANDLE 150MM
- 8 - 1/4" DR. DEEP SOCKET: 6-7-8-9-10-11-12-13MM
- 4 - 1/4" DR. HEX SOCKET BIT: 3-4-5-6MM
- 6 - 1/4" DR. TORX SOCKET BIT: T10-T15-T20-T25-T27-T30
- 3 - 1/4" DR. SLOTTED SOCKET BIT: 4-5.5-6.5MM
- 2 - 1/4" DR. PHILLIPS SOCKET BIT: NO.1-NO.2
- 2 - 1/4" DR. POZI SOCKET BIT: NO.1-NO.2
- 18 - 1/2" DR. SOCKET:

- 10-11-12-13-14-15-16-17-18-19-20-21-22-23-24-27-30-32MM
- 1 - 1/2" DR. QUICK-RELEASE RATCHET HANDLE 250MM
- 2 - 1/2" DR. EXTENSION BAR 5" & 10"
- 1 - 1/2" DR. SLIDING T HEAD
- 1 - 1/2" DR. UNIVERSAL JOINT
- 2 - 1/2" DR. SPARK PLUG SOCKET 16 & 21MM
- 3 - HEX KEY WRENCH: 1.5-2-2.5MM
- 4 - 1/2" DR. DEEP SOCKET: 14-15-17-19MM
- 1 - 1/2" DR. x 5/16" (F) COUPLER
- 2 - 5/16" DR. PHILLIPS BIT: (L: 30MM): NO.3-NO.4
- 2 - 5/16" DR. POZI BIT: (L: 30MM): NO.3-NO.4
- 3 - 5/16" DR. SLOTTED BIT: (L: 30MM): 8-10-12MM
- 4 - 5/16" DR. TORX BIT: (L: 30MM): T40-T45-T50-T55
- 5 - 5/16" DR. HEX BIT: (L: 30MM): 7-8-10-12-14MM
- 1 - BLOW MOLD CASE

BLOW MOLD CASE

1/2" & 1/4" DR-SOCKET SET / TOOL KITS



CM-BTK1245-R (TK45)

45PCS 1/2"DR. TOOL KIT
 18 - 1/2" DR. SOCKET:
 10-11-12-13-14-15-16-17-18-19-20-21-22-23-24-27-30-32MM
 1 - 1/2" DR. QUICK-RELEASE RATCHET HANDLE 250MM
 1 - 1/2" DR. SLIDING T BAR 10"
 1 - 1/2" DR. UNIVERSAL JOINT
 1 - 1/2" DR. EXTENSION BAR 5"
 1 - 1/2" DR. EXTENSION BAR 10"
 1 - 1/2" DR. FLEXIBLE HANDLE 375MM

8 - COMBINATION WRENCH: 8-10-12-13-14-15-17-19MM
 5 - SCREWDRIVER: 8x200MM (POZI #3)-6x100MM (-)
 6x100MM (+) -6x40MM(-)-6x40MM (+)
 1 - WATER PUMP PLIERS 250MM
 1 - COMBINATION PLIERS 180MM
 4 - HEX KEY WRENCH: 5-6-8-10MM
 1 - AUTO TESTER
 1 - BLOW MOLD CASE



CM-BTK121456-R (TK56)

56PCS 1/2"DR. & 1/4"DR. TOOL KIT
 10 - 1/2 DR. SOCKET: 10-12-13-14-15-17-19-22-24-27MM
 1 - 1/2" DR. QUICK - RELEASE RATCHET HANDLE 250MM
 1 - 1/2" DR. EXTENSION BAR 5"
 1 - 1/2" DR. UNIVERSAL JOINT
 2 - 1/2" DR. SPARK PLUG SOCKET 16MM & 21MM
 6 - 1/4" DR. SOCKET: 8-9-10-11-12-13MM
 1 - 1/4" DR. SPINNER HANDLE 150MM
 1 - 1/4" DR. x 1/4" (F) COUPLER
 4 - FLAT BIT: 3-4-5-6MM
 7 - TORX BIT: T10-T15-T20-T25-T27-T30-T40

3 - PHILLIPS BIT: NO.1-NO.2-NO.3
 6 - COMBINATION WRENCH: 11-12-13-14-15-17MM
 1 - WATER PUMP PLIERS 250MM
 1 - COMBINATION PLIERS 180MM
 4 - HEX KEY WRENCH: 1.5-2-3-4MM
 1 - HAMMER 300g (TUV / GS)
 5 - SCREWDRIVER:
 8x200MM (POZI #3)-6x100MM (-) -6x100MM (+)-
 6x40MM (-) -6x40MM (+)
 1 - BLOW MOLD CASE



CM-BTK121472-R (TK72)

72PCS 1/2"DR. & 1/4"DR. TOOL KIT
 13 - 1/2" DR. SOCKET: 10-11-12-13-14-15-17-19-22-24-27-30-32MM
 1 - 1/2" DR. QUICK - RELEASE RATCHET HANDLE 250MM
 1 - 1/2" DR. EXTENSION BAR 5"
 1 - 1/2" DR. UNIVERSAL JOINT
 2 - 1/2" DR. SPARK PLUG SOCKET 16 & 21MM
 10 - 1/4" DR. SOCKET: 4-5-6-7-8-9-10-11-12-13MM
 1 - 1/4" DR. QUICK - RELEASE RATCHET HANDLE 150MM
 5 - 1/4" DR. DEEP SOCKET: 9-10-11-12-13MM
 1 - 1/4" DR. EXTENSION BAR 3"
 1 - 1/4" DR. SPINNER HANDLE 150MM
 1 - 1/4" DR. UNIVERSAL JOINT
 1 - 1/4" DR. x 1/4" (F) COUPLER

4 - FLAT BIT: 3-4-5-6MM
 7 - TORX BIT: T10-T15-T20-T25-T27-T30-T40
 3 - PHILLIPS BIT: NO.1-NO.2-NO.3
 8 - COMBINATION WRENCH: 10-11-12-13-14-15-17-19MM
 1 - LOCKING PLIERS 10"
 1 - WATER PUMP PLIERS 250MM
 1 - COMBINATION PLIERS 180MM
 3 - HEX KEY WRENCH: 1.5-2-3MM
 1 - HAMMER 300g (TUV / GS)
 5 - SCREWDRIVER: 6x40MM (-) -6x40MM (+)-6x100MM
 (-) -6x100MM (+)-8x200MM (POZI #3)
 WITH BLOW MOLD CASE



CM-BTK121477-R (TK77)

77PCS 1/2"DR. & 1/4"DR. TOOL KIT
 13 - 1/2" DR. SOCKET: 10-11-12-13-14-15-17-19-22-24-27-30-32MM
 1 - 1/2" DR. QUICK - RELEASE RATCHET HANDLE 250MM
 2 - 1/2" DR. EXTENSION BAR 5" & 10"
 1 - 1/2" DR. UNIVERSAL JOINT
 1 - 1/2" DR. SPARK PLUG SOCKET 16MM
 9 - 1/4" DR. SOCKET: 4-5-6-7-8-9-10-11-12MM
 1 - 1/4" DR. QUICK - RELEASE RATCHET HANDLE 150MM
 1 - 1/4" DR. x 1/4" (F) COUPLER
 1 - 1/4" DR. UNIVERSAL JOINT
 1 - 1/4" DR. SLIDING T BAR 5"
 1 - 1/4" DR. EXTENSION BAR 3"
 4 - DOUBLE FLEXIBLE SOCKET WRENCH: 8x9MM-
 10x11MM-12x13MM-14x15MM

5 - TORX BIT: T10-T15-T20-T25-T30
 5 - HEX BIT: 2-3-4-5-6MM
 4 - SLOTTED BIT: 3-4-5-7MM
 4 - PHILLIPS BIT: NO.0-NO.1-NO.2-NO.3
 3 - POZI BIT: NO.1-NO.2-NO.3
 1 - BIT ADAPTER
 7 - HEX KEY WRENCH: 1.5-2-2.5-5-6-8-10MM
 11 - COMBINATION WRENCH: 7-8-9-10-11-12-13-14-
 15-17-19MM
 1 - BLOW MOLD CASE

BLOW MOLD CASE

1/2" & 1/4" DR-SOCKET SET / TOOL KITS



CM-BTK121499-R (TK99)

99PCS 1/2"DR. & 1/4"DR. TOOL KIT

10 - 1/4" DR. SOCKET: 4-5-6-7-8-9-10-11-12-13MM
 5 - 1/4" DR. DEEP SOCKET: 9-10-11-12-13MM
 1 - 1/4" DR. QUICK - RELEASE RATCHET HANDLE 150MM
 1 - 1/4" DR. SPINNER HANDLE 150MM
 1 - 1/4" DR. UNIVERSAL JOINT
 1 - 1/4" DR. EXTENSION BAR 3"
 1 - 1/4" DR. x 1/4" (F) COUPLER
 13 - 1/2" DR. SOCKET:
 10-11-12-13-14-15-17-19-22-24-27-30-32MM
 1 - 1/2" DR. QUICK - RELEASE RATCHET HANDLE 250MM
 1 - 1/2" DR. UNIVERSAL JOINT
 1 - 1/2" DR. EXTENSION BAR 5"
 2 - 1/2" DR. SPARK PLUG SOCKET 16MM & 21MM
 8 - COMBINATION WRENCH: 10-11-12-13-14-15-17-19MM
 5 - SCREWDRIVER: 6x40MM (-) -6x40MM (+) -6x100MM
 (-) -6x100MM (+) -8x200MM (POZI #3)

1 - AUTO TESTER
 1 - CRIMPING TOOL 215MM
 1 - WATER PUMP PLIERS 250MM
 1 - COMBINATION PLIERS 180MM
 3 - HEX KEY WRENCH: 1.5-2-2.5MM
 1 - HAMMER 300g (TUV / GS)
 3 - SLOTTED BIT: 4-5-5-7MM
 3 - PHILLIPS BIT: NO.1-NO.2-NO.3
 1 - BIT ADAPTER
 4 - HEX BIT: 3-4-5-6MM
 3 - TORX BIT: T15-T20-T30
 26 - TERMINALS

WITH BLOW MOLD CASE



CM-BTK1214148-R (TK148)

148PCS 1/2"DR. & 1/4"DR. TOOL KIT

10-1/4" DR. SOCKET: 4-5-6-7-8-9-10-11-12-13MM
 1-1/4" DR. QUICK-RELEASE RATCHET HANDLE 150MM
 2-1/4" DR. EXTENSION BAR 2" & 4"
 1-1/4" DR. FLEXIBLE EXTENSION BAR 150MM
 1-1/4" DR. UNIVERSAL JOINT
 1-1/4" DR. SLIDING T BAR 5"
 1-1/4" DR. SPINNER HANDLE 150MM
 1-1/4" DR. x 1/4" (F) COUPLER
 6 - TORX BIT: T10-T15-T20-T25-T27-T30
 5 - HEX BIT: 3-4-5-6-7MM
 4 - SLOTTED BIT: 3-4-5-5-7MM
 4 - PHILLIPS BIT: NO.0-NO.1-NO.2-NO.3
 3 - POZI BIT: NO.1-NO.2-NO.3
 18 - 1/2" DR. SOCKET:
 10-11-12-13-14-15-16-17-18-19-20-21-22-23-24-27-30-32MM
 1 - 1/2" DR. QUICK-RELEASE RATCHET HANDLE 250MM
 2 - 1/2" DR. EXTENSION BAR 3" & 10"
 1 - 1/2" DR. FLEXIBLE HANDLE 375MM
 1 - 1/2" DR. UNIVERSAL JOINT

2 - 1/2" DR. SPARK PLUG SOCKET 16 & 21MM
 1 - 1/2" DR. x 5/16" (F) COUPLER
 7 - 5/16" DR. HEX BIT: (L: 75MM): 4-5-6-7-8-10-12MM
 3 - 5/16" DR. SLOTTED BIT: (L: 30MM): 4-5-5-7MM
 3 - 5/16" DR. PHILLIPS BIT: (L: 30MM): NO.1-NO.2-NO.3
 8 - 5/16" DR. TORX BIT (L: 30MM) :
 T10-T20-T25-T27-T30-T40-T45-T50
 1 - CRIMPING TOOL 215MM
 30 - TERMINALS
 1 - COMBINATION PLIERS 180MM
 1 - WATER PUMP PLIERS 250MM
 2 - FLAT CHISELS: 18x150MM-24x200MM
 1 - CENTER PUNCH: 5x120MM
 4 - PIN PUNCH: 1.5x150MM-3x150MM-4x150MM-5x150MM
 1 - HAMMER 300g (TUV / GS)
 16 - COMBINATION WRENCH:
 6-7-8-9-10-11-12-13-14-15-16-17-19-22-24-27MM
 4 - SCREWDRIVER: 6x40MM (-) -6x40MM (+) -8x200MM
 (-) -8x200MM (+)

WITH BLOW MOLD CASE



CM-B1214108-R (4108)

108PCS 1/2"DR. & 1/4"DR. SOCKET WRENCH SET

13 - 1/4" DR. SOCKET: 4-4-5-5-5-6-7-8-9-10-11-12-13-14MM
 8 - 1/4" DR. DEEP SOCKET: 6-7-8-9-10-11-12-13MM
 5 - 1/4" DR. STAR SOCKET: E4-E5-E6-E7-E8
 4 - 1/4" DR. HEX SOCKET BIT: 3-4-5-6MM
 7 - 1/4" DR. TORX SOCKET BIT: T8-T10-T15-T20-T25-T27-T30
 3 - 1/4" DR. SLOTTED SOCKET BIT: 4-5-5-6-5MM
 2 - 1/4" DR. PHILLIPS SOCKET BIT: NO.1-NO.2
 2 - 1/4" DR. POZI SOCKET BIT: NO.1-NO.2
 1 - 1/4" DR. QUICK - RELEASE RATCHET HANDLE 150MM
 2 - 1/4" DR. EXTENSION BAR 2" & 3"
 1 - 1/4" DR. SPINNER HANDLE 150MM
 1 - 1/4" DR. UNIVERSAL JOINT
 1 - 1/4" DR. SLIDING T BAR 5"
 3 - HEX KEY WRENCH: 1.5-2-2.5MM
 17 - 1/2" DR. SOCKET: 10-11-12-13-14-15-16-17-18-19-20-21-
 22-24-27-30-32MM
 5 - 1/2" DR. DEEP SOCKET: 14-15-17-19-22MM

8 - 1/2" DR. STAR SOCKET: E10-E11-E12-E14-E16-E18-
 E20-E24

1 - 1/2" DR. x 5/16" (F) COUPLER
 2 - 5/16" DR. PHILLIPS BIT: (L: 30MM): NO.3-NO.4
 2 - 5/16" DR. POZI BIT: (L: 30MM): NO.3-NO.4
 3 - 5/16" DR. SLOTTED BIT: (L: 30MM): 8-10-12MM
 5 - 5/16" DR. TORX BIT: (L: 30MM): T40-T45-T50-T55-T60
 5 - 5/16" DR. HEX BIT: (L: 30MM): 7-8-10-12-14MM
 1 - 1/2" DR. QUICK - RELEASE RATCHET HANDLE 250MM
 1 - 1/2" DR. WOBBLE EXTENSION BAR 125MM
 1 - 1/2" DR. EXTENSION BAR 10"
 1 - 1/2" DR. SLIDING T HEAD
 1 - 1/2" DR. UNIVERSAL JOINT
 2 - 1/2" DR. SPARK PLUG SOCKET 16 & 21MM

WITH BLOW MOLD CASE

BLOW MOLD CASE

1/2" & 1/4" DR-SOCKET SET / TOOL KITS



CM-BTK1214118-R (TK118)

118PCS 1/2"DR. & 1/4"DR. TOOL KIT

- 10 - 1/4" DR. SOCKET: 4-5-6-7-8-9-10-11-12-13MM
- 1 - 1/4" DR. QUICK - RELEASE RATCHET HANDLE 150MM
- 2 - 1/4" DR. EXTENSION BAR 2" & 4"
- 1 - 1/4" DR. FLEXIBLE EXTENSION BAR 150MM
- 1 - 1/4" DR. UNIVERSAL JOINT
- 1 - 1/4" DR. SLIDING T BAR 5"
- 1 - 1/4" DR. SPINNER HANDLE 150MM
- 1 - 1/4" DR. x 1/4" (F) COUPLER
- 6 - TORX BIT: T10-T15-T20-T25-T27-T30
- 5 - HEX BIT: 3-4-5-6-7MM
- 4 - SLOTTED BIT: 3-4-5-5-7MM
- 4 - PHILLIPS BIT: NO.0-NO.1-NO.2-NO.3
- 3 - POZI BIT: NO.1-NO.2-NO.3
- 18 - 1/2" DR. SOCKET:
- 10-11-12-13-14-15-16-17-18-19-20-21-22-23-24-27-30-32MM
- 8 - 1/2" DR. STAR SOCKET:
- E10-E11-E12-E14-E16-E18-E20-E22
- 1 - 1/2" DR. QUICK - RELEASE RATCHET HANDLE 250MM

- 2 - 1/2" DR. EXTENSION BAR 3" & 10"
- 1 - 1/2" DR. FLEXIBLE HANDLE 375MM
- 1 - 1/2" DR. UNIVERSAL JOINT
- 2 - 1/2" DR. SPARK PLUG SOCKET 16 & 21MM
- 1 - 1/2" DR. x 5/16" (F) COUPLER
- 7 - 5/16" DR. HEX BIT (L: 75MM): 4-5-6-7-8-10-12MM
- 3 - 5/16" DR. SLOTTED BIT (L: 30MM): 4-5-5-7MM
- 3 - 5/16" DR. PHILLIPS BIT (L: 30MM): NO.1-NO.2-NO.3
- 8 - 5/16" DR. TORX BIT (L: 30MM):
- T10-T20-T25-T27-T30-T40-T45-T50
- 1 - COMBINATION PLIERS 180MM
- 1 - HAMMER 300g (TUV / GS)
- 1 - WATER PUMP PLIERS 250MM
- 4 - SCREWDRIVER:
- 6x40MM (-)-6x40MM (+)-8x200MM (-)-8x200MM (+)
- 16 - COMBINATION WRENCH:
- 6-7-8-9-10-11-12-13-14-15-16-17-19-22-24-27MM

WITH BLOW MOLD CASE

BLOW MOLD CASE

1/4" DR-SOCKET SET / TOOL KITS

	<p>CM-520K-M33</p> <p>33 PCS 1/4" DR. Multi-Function Wrench Set 10 - 1/4" Dr. Socket : 4-4.5-5-5.5-6-7-8-9-10-11mm 1 - 1/4" Dr. Extension Bar 75mm (3") 1 - 1/4" Dr. Bit Holder 60mm (2") 1 - 1/4" Dr. Multi-Function Wrench 4 - 1/4" HEX BIT : H2-H3-H4-H6</p>	<p>7 - 1/4" Torx Bit : T10-T15-T20-T25-T27-T30-T40 4 - 1/4" Philips Bit : PH0-PH1-PH2-PH3 2 - 1/4" Slotted Bit : SL4-SL5.5 3 - 1/4" Pozi Bit : PZ1-PZ2-PZ3</p> <p>WITH PLASTIC CASE</p>
	<p>CM-520K-M41</p> <p>41 PCS 1/4" DR. Multi-Function Wrench Set 13 - 1/4" Dr. Spline Socket : 4-4.5-5-5.5-6-7-8-9-10-11-12-13-14mm 1 - 1/4" Dr. Bit Ratchet Handle (HEX) 1 - 1/4" Dr. Extension Bar 75mm (3") 1 - 1/4" Dr. Bit Holder 60mm (2") 1 - 1/4" Dr. Multi-Function Wrench 5 - 1/4" HEX BIT : H2-H3-H4-H6-H7</p>	<p>8 - 1/4" Torx Bit : T7-T10-T15-T20-T25-T27-T30-T40 4 - 1/4" Philips Bit : PH0-PH1-PH2-PH3 3 - 1/4" Slotted Bit : SL4-SL5.5-SL7 3 - 1/4" Pozi Bit : PZ1-PZ2-PZ3 1 - 1/4" Bit Adapter</p> <p>WITH PLASTIC CASE</p>
	<p>CM-518DW10S-M34</p> <p>34PCS 1/4" DR. Dolphin Wrench Set 10 - 1/4" Dr. Socket : 4-4.5-5-5.5-6-7-8-9-10-11mm 1 - 1/4" Dr. Extension Bar 75mm (3") 1 - Dolphin Wrench 10mm 1 - 1/4" Dr. Adapter 1 - 1/4" Dr. Coupler 3 - 1/4" HEX BIT : H3-H4-H5</p>	<p>7 - 1/4" Torx Bit : T10-T15-T20-T25-T27-T30-T40 4 - 1/4" Philips Bit : PH0-PH1-PH2-PH3 3 - 1/4" Slotted Bit : SL4-SL5.5-SL7 3 - 1/4" Pozi Bit : PZ1-PZ2-PZ3</p> <p>WITH PLASTIC CASE</p>
	<p>CM-520K-M38</p> <p>38 PCS 1/4" DR. Multi-Function Wrench Set 1 - 1/4" Dr. Multi-Function Wrench 11 - Spline Socket 4-5-6-7-8-9-10-11-12-13-14mm 1 - 50mm Extension Bar 1 - 1/4" Bit Adapter 1 - 1/4" Bit Holder 5 - 1/4" HEX BIT : H2-H3-H4-H5-H6</p>	<p>10 - 1/4" Torx Bit : T6-T7-T8-T10-T15-T20-T25-T27-T30-T40 4 - 1/4" Philips Bit : PH0-PH1-PH2-PH3 4 - 1/4" Slotted Bit : SL3-SL4-SL5-SL7</p> <p>WITH BLOW MOLD CASE</p>

BLOW MOLD CASE

1/4" & 3/8" DR-SOCKET SET / TOOL KITS



CM-538RG13-M34

34PCS 75° Flexible Ratchet-Ring Wrench 13MM With Go Through Socket Set

- 1 – 75° Flexible Ratchet-Ring Wrench 13mm
- 10 – Go Through Socket 5-6-7-8-9-10-11-12-13-14mm
- 1 – 13mm*75mm Go Through Extension Bar
- 1 – 1/4" Go Through Bit Adapter
- 1 – 1/4" Go Through Adapter

- 4 – 1/4" HEX BIT : H3-H4-H5-H6
- 6 – 1/4" Torx Bit : T10-T15-T20-T25 -T30-T40
- 3 – 1/4" Philips Bit : PH1-PH2-PH3
- 4 – 1/4" Slotted Bit : SL3-SL4-SL5-SL6
- 3 – 1/4" Pozi Bit : PZ1-PZ2-PZ3

WITH PLASTIC CASE



CM-520NPRG13-M33

33PCS Flexible Gear Wrench 13mm With Go Through Socket Set

- 1 – Flexible Gear Wrench 13mm
- 10 – Go Through Socket 5-6-7-8-9-10-11-12-13-14mm
- 1 – 1/4" Dr. Bit Extension Bar Handle
- 1 – 1/4" Dr. Adapter
- 4 – 1/4" HEX BIT : H3-H4-H5-H6

- 6 – 1/4" Torx Bit : T10-T15-T20-T25 -T30-T40
- 3 – 1/4" Philips Bit : PH1-PH2-PH3
- 4 – 1/4" Slotted Bit : SL3-SL4-SL5-SL6
- 3 – 1/4" Pozi Bit : PZ1-PZ2-PZ3

WITH PLASTIC CASE



CM-538RS10-M38

38PCS 75° Flexible Ratchet-Ring Wrench 10MM With Spline Socket Set

- 1 – 75° Flexible Ratchet-Ring Wrench 10mm
- 11 – Spline Socket 4-4.5-5-5.5-6-7-8-9-10-11-12mm
- 1 – 1/4"-10mm*75mm Special Extension Bar
- 1 – 1/4" Bit Adapter
- 1 – 1/4" Socket push Adaptor
- 5 – 1/4" HEX BIT : H2-H3-H4-H5-H6

- 10 – 1/4" Torx Bit : T6-T7-T8-T10-T15-T20-T25-T27-T30-T40
- 4 – 1/4" Philips Bit : PH0-PH1-PH2-PH3
- 4 – 1/4" Slotted Bit : SL3-SL4-SL5-SL7

WITH BLOW MOLD CASE



CM-538RG20-M17

17PCS 75° Flexible Ratchet-Ring Wrench 20MM With Go Through Socket Set

- 1 – 75° Flexible Ratchet-Ring Wrench 20mm
- 12 – Go Through Socket 8-9-10-11-12-13-14-15-16-17-18-19mm
- 1 – 20mm*75mm Go Through Extension Bar
- 1 – 1/4"*20mm Go Through Adapter
- 1 – 3/8"*20mm Go Through Adapter
- 1 – 1/2"*20mm Go Through Adapter

WITH BLOW MOLD CASE



CM-520NPRG20-M15

15PCS Flexible Gear Wrench 20mm With Go Through Socket Set

- 1 – Flexible Gear Wrench 20mm
- 12 – Go Through Socket 8-9-10-11-12-13-14-15-16-17-18-19mm
- 1 – 20mm*75mm Go Through Extension Bar
- 1 – 3/8"*20mm Adapter

WITH PLASTIC CASE



JIN TOOL

BUILDING TOOLS SERIES



PROFESSIONAL TILE CUTTER



Contains:

- Cutter
- Blow Case
- Ø6mm Scoring Wheel
- Ø10mm Scoring Wheel

MODEL NO.					LxWxH	QTY (PC)	NW (KGS)	GW (KGS)	CUFT
CM-40	430mm [17"]	300x300mm [12"x12"]	15mm [19/32"]	680x245x130mm [26-3/4"x9-5/8"x5-1/8"]		2	13.2	15.2	1.9
CM-60	660mm [26"]	460x460mm [18-18"x18-1/8"]	15mm [19/32"]	890x400x130mm [35-1/16"x15-3/4"x5-1/8"]		1	13.7	14.7	2

ACCESSORIES



WIDIA SCORING WHEEL-Ø6MM.(15/64 inch)

FOR TILE.

SUPPLIED IN BLISTER CARD.

200PCS / 10.1KGS / 11.1KGS / 1'

WIDIA SCORING WHEEL-Ø10MM.(25/64 inch)

SPECIAL GRES.

SUPPLIED IN BLISTER CARD.

200PCS / 10.6KGS / 11.6KGS / 1'

WIDIA SCORING WHEEL-Ø20MM.(45/64 inch)

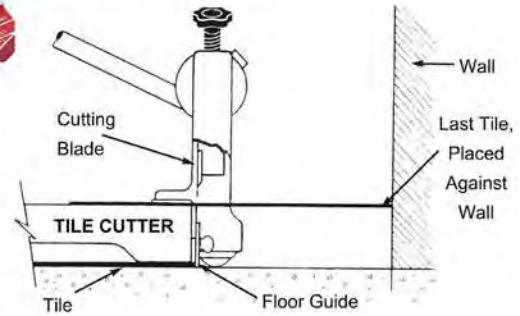
SPECIAL FOR GRANULATED AND DIFFICULT

CUTTING GRES TILES.

SUPPLIED IN BLISTER CARD.

200PCS / 13.3KGS / 14.3KGS / 1'

PVC TILE CUTTER



CM-12 (12") CM-18 (18") PVC TILE CUTTER

CUTTING GAP: $\mu : 0.1 \pm 0.05$

- *CM-12 PVC Tile Cutter cuts 12" horizontally, and will cut a 9" PVC tile diagonally, from coner to coner.
- *CM-18 PVC Tile Cutter cuts 18" horizontally, and a 12" tile diagonally.

- *ALUMINUM ALLOY(ADC-12) BASE
- *MAX.CUTTING THICKNESS:3.5mm
- *SK5 BLADE
- *BALL BEARING
- *UNIVER BALL BEARING (EASILY REMOVED)
- *RUBBER FEET (FOR STABLE, STATIONARY USE)

*SIZE:400*380*300mm
550*535*500mm

2PCS / 15KGS / 18KGS / 4'
1PC / 11.8KGS / 13.5KGS / 3.4'



PROFESSIONAL TILE CUTTER

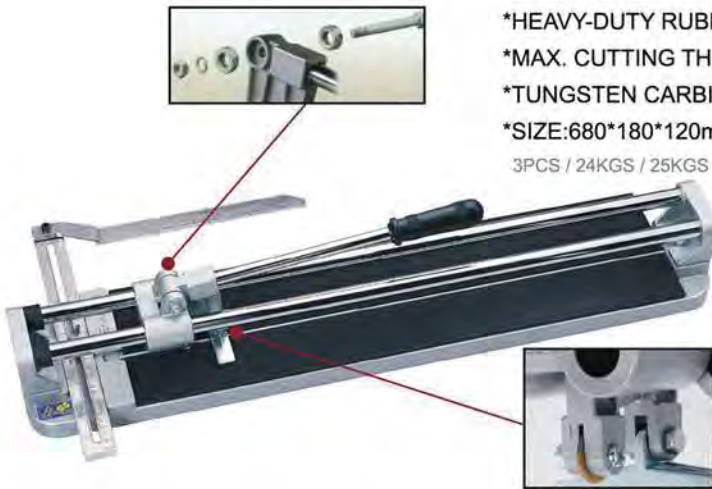
CM-440 (400mm) CLINKER TILE CUTTER

- *ALUMINUM ALLOY(ADC-12) BASE
- *1015 SLIDE RAIL DIA.:16mm
- *LINEAR BALL BEARING
- *HEAVY-DUTY RUBBER PADS
- *MAX. CUTTING THICKNESS: 16mm
- *TUNGSTEN CARBIDE CUTTING WHEEL DIA. 22mm (#CM-2220)
- *SIZE:600*180*120mm
- 4PCS / 21.5KGS / 22.5KGS / 2.7'



CM-500 (500mm) CM-600 (600mm) CLINKER TILE CUTTER

- *ALUMINUM ALLOY(ADC-12) BASE
- *1015 SLIDE RAIL DIA.:20mm
- *LINEAR BALL BEARING
- *HEAVY-DUTY RUBBER PADS
- *MAX. CUTTING THICKNESS:16mm
- *TUNGSTEN CARBIDE CUTTING WHEEL DIA.22mm (#CM-2220)
- *SIZE:680*180*120mm 780*180*120mm
- 3PCS / 24KGS / 25KGS / 2.2' 2PCS / 16.9KGS / 17.9.KGS / 1.8'



CM-440B (400mm) CM-500B (500mm) CM-600B (600mm)



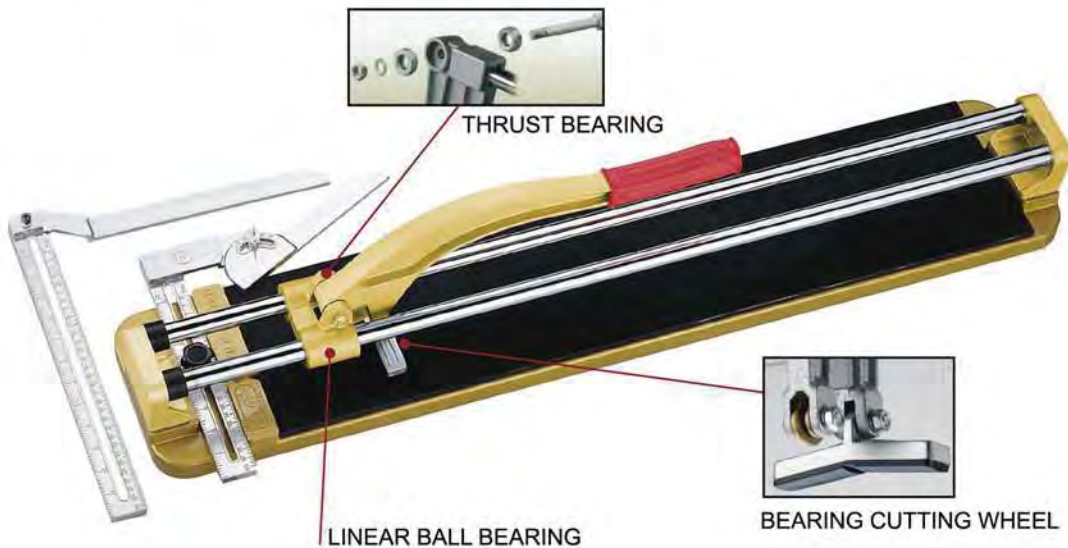
CUTTING WHEEL
CAN EXCHANGE TO BEARING CUTTING WHEEL.

PROFESSIONAL TILE CUTTER

CM-640B (600mm) CM-740B (740mm) CM-960B (960mm)
CM-1060B (1060mm) CM-1260B (1260mm)

- *ALUMINUM ALLOY(ADC-12) BASE
- *S45C/CF53 SLIDE RAIL DIA.:20mm/25mm
- *MAX. CUTTING THICKNESS:16mm
- *BEARING CUTTING WHEEL DIA.22mm (CM-2220B)

2PCS / 17.2KGS / 18.2KGS / 2.2'
 2PCS / 20KGS / 22.6KGS / 2.7'
 1PC / 20KGS / 21.5KGS / 1.7'
 1PC / 20.5KGS / 21.5KGS / 1.8'
 1PC / 22KGS / 23KGS / 2.2'



CUTTING WHEEL



FOR TILE CUTTER

MODEL. NO.	O.D.xI.D.xT
CM-2246	22X6.0X4.6
CM-2220B	22X10.5X2.0
CM-2220	22X6.0X2.0
CM-1830	18X6.0X3.0
CM-1630	16X6.0X3.0
CM-1515	15X6.0X1.5

FOR GLASS CUTTER

MODEL. NO.	O.D.xI.D.xT
CM-305P	6X1.5X1.0
CM-304AP	5X1.45X1.0

PROFESSIONAL TILE CUTTER

CM-330 (330mm) CM-330 (14") (360mm) CM-330B (400mm)
CM-330C (450mm) CM-330 (20") (500mm) CM-330D (600mm)

SUPER PROFESSIONAL TILE CUTTER

*HEAVY METALLIC BASE

*MAX. CUTTING THICKNESS:16mm

*TUNGSTEN CARBIDE CUTTING WHEEL DIA.22mm (#CM-2220)

*SIZE:510*160*120mm 550*160*120mm

586*160*120mm 640*160*120mm

710*160*120mm 800*160*120mm

4PCS / 18.8KGS / 19.8KGS / 2.2'

4PCS / 19.5KGS / 20.5KGS / 2.4'

4PCS / 20.5KGS / 21.5KGS / 2.6'

3PCS / 19KGS / 20KGS / 2.1'

3PCS / 20.8KGS / 21.8KGS / 2.3'

2PCS / 14KGS / 15KGS / 1.8'



WITHOUT LINEAR BALL BEARING

CM-330A (330mm) CM-330A (14") (360mm) CM-330BA (400mm)
CM-330CA (450mm) CM-330A (20") (500mm) CM-330DA (600mm)

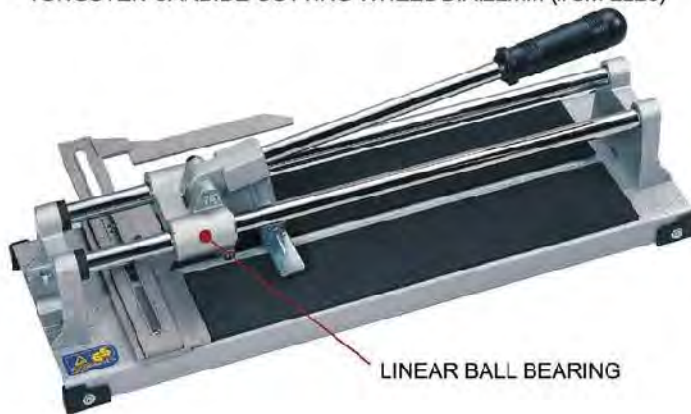
SUPER PROFESSIONAL TILE CUTTER

*HEAVY METALLIC BASE

*LINEAR BALL BEARING

*MAX. CUTTING THICKNESS:16mm

*TUNGSTEN CARBIDE CUTTING WHEEL DIA.22mm (#CM-2220)



LINEAR BALL BEARING

*SIZE:510*160*120mm 550*160*120mm

586*160*120mm 640*160*120mm

710*160*120mm 800*160*120mm

4PCS / 20.5KGS / 21.5KGS / 2.2'

4PCS / 20KGS / 22KGS / 2.4'

4PCS / 21.8KGS / 22.8KGS / 2.6'

3PCS / 20KGS / 21KGS / 2.1'

3PCS / 21.5KGS / 22.5KGS / 2.3'

2PCS / 15KGS / 16KGS / 1.8'

TILE CUTTING TOOL



CM-85 8" TILE CUTTING PLIERS

- *EASY TO USE HAND CUTTER SCORES AND CUTS UP TO 5/8 (16mm) THICK.
- *THIS USEFUL CUTTING AND BREAKING PLIER CAN BE USED ON GLASS OR CERAMIC TILES.
- *REPLACEABLE TUNGSTEN CARBIDE CUTTING WHEEL.
- *SMOOTH PLASTIC HANDLE.
- *CHROME PLATED FINSH.
- *SIZE:200mm
- 72PCS / 17KGS / 18.5KGS / 2'



CM-86 8" TILE CUTTING PLIERS

- *DROP FORGED CARBON STEEL BODY.
- *SANDVIK TUNGSTEN CARBIDE TIPPED USED.
- *NIBBLE NARROW STRIPS AND SHAPES FROM FLOOR AND WALL TILES.
- *EASY OPEN SPRING.
- *WITH VINYLGRIP.
- *SIZE:200mm
- 60PCS / 22KGS / 23KGS / 1.2'



CM-88 GLASS & TILE CUTTER

- *EASILY CUT GLASS.
- *CUT VARYING THICKNESS OF GLASS FROM 1/32" TO 1/4".
- *REPLACEABLE LONG LASTING CARBIDE WHEEL JAW.
- *CAN CUT CERAMIC TILE. MOSAIC. TERRAZZO. A GAGE AND SHELLS.
- *TUNGSTEN CARBIDE CUTTING WHEEL. DIA. 22mm(CM-2220)
- *SIZE: 200mm
- 60PCS / 21.5KGS / 22.5KGS / 1.7'



CM-130 ADJUSTABLE CIRCLE CUTTER

- *ALUMINUM ALLOY WITH 4 SK5 DOUBLE SIDE BLADES
- *CAPACITY:40~210mm (1-3/4"~8-1/4")
- *REPLACEMENT EDGES ARE AVAILABLE(CM-130P)
- 60PCS / 10KGS / 12KGS / 2.7'

CM-130P

- *SPARE BLADES
- *SUS:304 ROTATION NEEDLE
- *SK5 DOUBLE SIDE BLAND
- 200PCS / 3KGS / 3.7KGS / 0.4'

MULTI TOOL & GLASS CUTTER



CM-204(4,5,6,6.5,7,8,10,12MM)
TILE AND GLASS DRILL



CM-304A
130mm GLASS CUTTER

*ZINC ALLOY HANDLE.
*5x1.45x1.0
*TUNGSTEN CARBIDE CUTTING WHEEL.
288PCS / 11.2KGS / 12.2KGS / 1.7'



CM-301 B / C
MULTI-PURPOSE CLAMP
2",3"

SIZE: 2", 3"
72PCS / 14.4KGS / 15.4KGS / 1.4'
48PCS / 17.3KGS / 18.3KGS / 1.7'



CM-304C(9cm) /D(10cm)
OIL FEED GLASS CUTTER

9 or 10cm
*DIAMOND CUTTING WHEEL.
*3.1x1.0x0.7
120PCS / 8KGS / 10KGS / 1.2'



CM-302
6-IN-1 MULTI TOOL

*TUNGSTEN ALLOY STEEL
288PCS / 16KGS / 18KGS / 3'



CM-304E
CIRCULAR GLASS CUTTER

*MACHINED BRASS BODY.
*FIVE TUNGSTEN CARBIDE CUTTING WHEEL, Ø5mm.
*INTEGRAL NOTCHES FOR "BREAKING OUT".
*CUT CIRCLES UP TO Ø250mm.
*EASY HEAD ADJUSTMENT FOR STRAIGHT CUTS.
*IDEAL FOR FITTING WINDOW VENTS.
*TRANSMITTERS-SHAFT.
*RENEWABLE TUNGSTEN CARBIDE CUTTING WHEEL.
*EXTRACTOR FANS, ETC.
200PCS / 11.7KGS / 12.7KGS / 0.8'



CM-303
ROTARY CUTTER

*ROUND BRAKE FOR ROTARY CUTTING NEW CUTTING METHOD.
*CUTS EITHER FORWARD OR BACKWARD WORKS IN STRAIGHT OR CURVED CUTTING.
*USE RIGHT HAND OR LEFT HAND, HARD THINGS, RULER CAN APPLY FOR PRECISE CUTTING, ANY KIND OF CUTTING METHODS AVAILABLE.
288PCS / 11KGS / 12KGS / 1.6'



CM-304H
6 WHEELS GLASS CUTTER

288PCS / 11.5KGS / 12.5KGS / 2.9'

MULTI TOOL & GLASS CUTTER



*SCISSOR SHARPENING
*KNIFE SHARPENING

*GLASS CUTTER
*TILE CUTTER

*CARPET KNIFE
*WIRE CUTTING
*WIRE STRIPPING
*GLASS BREAKING TILE BREAKING

CM-305 8-IN-1 MULTI-TOOL

288PCS / 16.8KGS / 17.8KGS / 2.2'



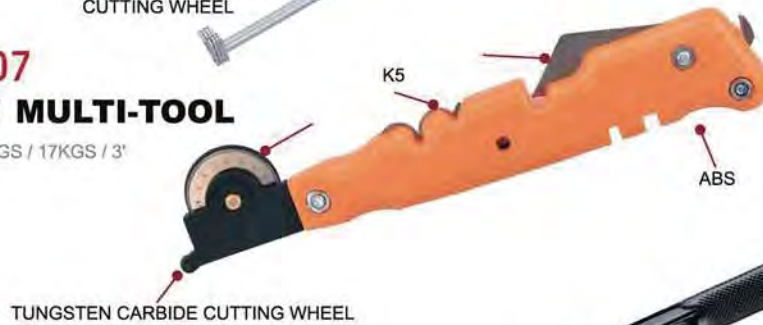
CM-306 GUAGE GLASS CUTTER

50PCS / 13KGS / 14KGS / 0.7'



CM-307 10-IN-1 MULTI-TOOL

144PCS / 16KGS / 17KGS / 3'



CM-308 FOR 3 HOLE PIPE BENDER

SIZE: 1/4", 5/16", 3/8"

20PCS / 10KGS / 11KGS / 1'



TUBE CUTTER



CM-502B

*THERE IS AN EXTRA BLADE SET INSIDE THE NUT.
 *THE LARGE DIAMETER KNOB IS DESIGNED TO APPLY STRENGTH EASILY.
 *6-65mm (1/4"-2 3/4")
 *SUJ2 BLADE
 *ALUMINUM ALLOY.
 24PCS / 20KGS / 21KGS / 1.5'

THERE IS A GROOVE IN THE CENTER OF THE ROLLER WHICH WILL ACT AS A BUR ESCAPE AND HELP TO ACHIEVE A SMOOTH CUTTING OPERATION.



CM-109A

*3mm~29mm (1/8"-1-1/8")
 *S45C BLADE.
 *ALUMINUM ALLOY.
 72PCS / 13KGS / 14KGS / 1.3



CM-108A

*3mm~28mm (1/8"-1-1/8")
 *SUJ2 BLADE.
 *ZINC ALLOY.
 120PCS / 19.5KGS / 21KGS / 1.1'



CM-105A

*3mm~32mm (1/8"-1-1/2")
 *SUJ2 BLADE.
 *ALUMINUM ALLOY.
 72PCS / 18KGS / 19KGS / 1.5'



CM-108C

*3mm~22mm (1/8"-7/8")
 *S45C BLADE.
 *ZINC ALLOY.
 200PCS / 24KGS / 25KGS / 1'



CM-107A

*5mm~45mm (3/16"-1-3/4")
 *SUJ2 BLADE.
 *ALUMINUM ALLOY.
 48PCS / 20KGS / 21KGS / 2'



CM-113

*16mm~54mm (5/8"-2-1/8")
 *SUJ2 BLADE.
 *ALUMINUM ALLOY.
 36PCS / 20.5KGS / 21.5KGS / 2.1'

BLADE FOR TUBE CUTTER



MODEL. NO.	O.D.	I.D.	T
CM-1838 CM-109A	18	4.9	3.8
CM-2262 CM-113 CM-502B	22	4.9	6.2
CM-1730 CM-108C	17	4.9	3.0
CM-1830P CM-105A CM-107A	18	4.9	3.0
CM-1762 CM-108A	17	4.9	6.2



JIN TOOL

AUTO TOOL SERIES



PROFESSIONAL AUTO TOOL

CM-AT-225F

3 WAY HOSE CLAMP PLIERS



- Special 3 clamps design for any type hose clamp.
- For replacement of fuel; oil and water hose.
- Hose clamp with flexible 600mm wire.
- Convenient for working hidden areas and long distance.
- Max capacity: 65mm

WITH WHITE BOX



CM-AT-225H

UNIVERSAL HOSE CLAMP PLIERS



- Special angle jaws designed for most kinds of hose clamp.
- Finger tip "position lock" to keep hose clamp spread open.
- Capacity: 0mm ~ 65mm

WITH BLISTER CARD (CUSTOMER SUPPLIED CARD)



CM-CYH-BT10

BMW WHEEL SCREW LOCK SOCKET SET



- Operate with 17mm socket.
- Contents: #30(13PT), #31(15PT), #32(16PT), #33(17PT), #34(18PT), #35(19PT), #36(20PT), #37(21PT), #38(22PT), #40(23PT).
- Applicable for installing and removing locks of most BMW models.

WITH BLOW MOLD CASE



CM-OT-109I

BALL JOINT SEPARATOR



- 4 position adjustable
- Professional ball joint separator with 4 position, adjustable lever.
- Hardened & tempered drop-forged steel with tough black epoxy coating.
- Lever adjustment in 24, 30, 40, 45 mm
- Jaw opening: 20 mm
- Total length: 165 mm



PROFESSIONAL AUTO TOOL



CM-OT-115DW

6PC BALL JOINT PULLER SET (SCREW TYPE)

•Application : AUDI , BMW, FORD, CHRYSLER, OPEL, SAAB, VOLVO, VW, NISSAN, TOYOTA.

•Suitable for most types of vehicles, sizes :

16 (DIA.) x 45(L) mm ,

19 (DIA.) x 50(L) mm ,

23 (DIA.) x 55(L) mm ,

28 (DIA.) x 55(L) mm ,

34 (DIA.) x 63(L) mm ,

28 (DIA.) x 74(L) mm

BMW 7 series, BENZ S series.

WITH BLOW CASE



CM-OT-151H

STRETCH BELT REMOVER/INSTALLER

•Combination Removal and Installation Tool for Most Stretch Belt Applications Found on Many Accessory Drive Systems.

•Unique magnetic faces hold the tool in place on the pulley.

•Helps prevent damage to belt or pulley during removal or installation.

•Compact, one-piece tool can be used on the front or back side of the pulley.

WITH WHITE BOX



CM-OT-187E

ADJUSTABLE FUEL TANK LID REMOVER

• An innovative tool for the removal and fitting of fuel gauge sender collars.

• Adjustable to suit for most collars from 89 to 170mm.

• Lock in place and then turn with a 16mm wrench or socket.

• A damage free method of removing & re-fitting collars.

• Operation range: ϕ 100M/M~170M/M

WITH WHITE BOX



CM-OT-259A-21

21PCS 3/8" DR.MASTER DRAIN PLUG KEY SET (36mmL)

• BMW, LANCIA, RENAULT, CITROEN, MAZDA, SAAB, FIAT, MERCEDES, TOYOTA, FORD, NISSAN, VAUXHALL/OPEL, HONDA, PEUGEOT, VOLKSWAGEN

• Suitable for sump plugs on engine, gearbox and back axle.

• Contents: Hex key socket: 8、9、10、12、10、13、14、17mm

• Square socket : 5/16"、3/8"、7、8、10、11、12、13、14mm

• Torx socket : T45 Triangular socket : 10mm

• Spline (TAMPER) socket : M16

• Square drive socket : 10mm

• 3/8" drive sliding T-handle CR-V steel , Matt Finished

WITH BLOW MOLD CASE

PROFESSIONAL AUTO TOOL

CM-OT-252C

SOFT TIP AIR HAMMER SET

- INCLUDES ALUMINUM, BRASS, STEEL & NYLON AIRTIPPED TOOLS
- Non sparking
- Non marring for sensitive surfaces
- Replaceable hammer heads
- Lifetime warranty on body
- For aluminum body cars
- 0.401" shank tools



WITH BLOW MOLD CASE

CM-OT-263

VALVE SPRING COMPRESSOR

- Used for Car & Motorcycle.
- Pusher size: 16mm, 19mm, 23mm, 25mm, and 30mm.
- 5 pcs pusher for fitting the valve spring correctly and easier to compress the valve spring.



WITH BLOW MOLD CASE

CM-OT-288C

TIMING PULLEY PULLER

- This tool is designed for removing drive pulleys with face grooves.
- The tool removes a pulley absolutely free of any risk of damage.
- The tool is adaptable to different pulley diameters, as the legs are adjustable.
- For removing pulleys with 3, 6, 9 slots.
- Surface finish: chrome plated, screw blackened.



WITH WHITE BOX

CM-T0048

Engine Timing Tool Set-Ford

- Installing and removal of camshaft / variable camshaft timing unit.
- Checking and adjustment of timing.
- Applicable: Ford Focus/ Cmax 1.6 Ti-vct 2003 later, 2.0 Tdci
- Engine code: HXDA, G6DA, G6DB, G6DC 2003later



WITH BLOW MOLD CASE

PROFESSIONAL AUTO TOOL



CM-T0048A

ENGINE TIMING TOOL SET-FORD & MAZDA

- This comprehensive set of tools enables the correct engine timing to be made when replacing the timing belt.
- Applicable: FORD Duratec petrol engine: 1.25, 1.4, 1.6, 1.7, 1.8, and 2.0 twin cam 16V
- FORD Duratorq diesel engine: 1.4, 1.6, 1.8, 2.0 TDCI. Mazda: PSA1.4, 1.6HDI engine.

WITH BLOW MOLD CASE



CM-TPMS001

TPMS TOOL ASSORTMENT

DESIGNATION:

- Torque wrench 2-14Nm.
- Torque tool for valve and sensor assembly 0.5-3.5Nm.
- Socket 11mm.
- Socket 12mm.
- Bit socket T10.

WITH BLOW MOLD CASE



- Bit socket T15.
- Bit socket T20.
- Tire valve removal tool.
- Valve inserting tool torque 0.25Nm.
- Valve inserting tool torque 0.4Nm.



CM-OT-2002

SLIDE HAMMER PULLER SET

- Slide Hammer with multiple attachments including 2/3 Jaw Internal and External Pullers, Rear Axle Puller, Locking Plier Adaptor, Puller Hook and Dent Puller.
- Replacement Part Availability.

WITH BLOW MOLD CASE



CM-OT-101

1/2" DR. CLICK TORQUE WRENCH

- (1) 28 - 210 NEWTON METERS 2.9-21.4 MKGS
- (2) 10 - 150 FOOT POUNDS 1.4-20.7 M.KGS
- (3) 28 - 210 NEWTON METERS 20.7-154.9 FOOT POUNDS (470mml)

WITH BLOW MOLD CASE

MODEL NO	Square drive	Size	FT./LB	IN-CH	FT./LB	N.KGS	Limit	Wt	D1
OT-102B	1/4"	2-24		20-240	2-24(7mm)	0.2-2.4	275	500	28
OT-102B	1/4"	2-24		20-240	2-24(7mm)	0.2-2.4	275	500	28
OT-102B	1/4"	2-24		17.7-212.5			275	500	28
OT-102D	3/8"	2-24		20-240	2-24(7mm)	0.2-2.4	275	500	28
OT-102D	3/8"	2-24		20-240	2-24(7mm)	0.2-2.4	275	500	28
OT-102D	3/8"	2-24		17.7-212.5			275	500	28
OT-102E	3/8"	19-113				1.9-11	363	758	36
OT-102E	3/8"	19-113	5-80			0.7-11.1	363	758	36
OT-102E	3/8"	19-113		14.0-81.0			363	758	36
OT-102E	1/2"	19-113				1.9-11	363	758	36
OT-102E	1/2"	19-113	5-80			0.7-11.1	363	758	36
OT-102E	1/2"	19-113		14.0-81.0			363	758	36
OT-101	1/2"	28-213				2.9-21.4	473	1392	47
OT-101	1/2"	28-213				1.4-20.7	473	1392	47
OT-101	1/2"	28-213	40-150		38.7-154.9		473	1392	47
OT-101B	1/2"	30-345				3.1-35.2	633	2354	47
OT-101B	1/2"	30-345	25-250			3.5-34.5	633	2354	47
OT-101B	1/2"	30-345		22.1-254.4			633	2354	47
OT-101D	3/4"	30-345				3.1-35.2	633	2354	47
OT-101D	3/4"	30-345	25-250			3.5-34.5	633	2354	47
OT-101D	3/4"	30-345		22.1-254.4			633	2354	47
OT-101E	3/4"	35-415				6.0-42.3	633	2354	47
OT-101E	3/4"	35-415	30-300			6.0-41.4	633	2354	47
OT-101E	3/4"	35-415		47.6-306			633	2354	47
OT-101C	3/4"	35-415				6.0-42.3	673	3250	74
OT-101C	3/4"	35-415	50-500			6.9-41.4	673	3250	74
OT-101C	3/4"	35-415		47.6-300			673	3250	74
OT-1011	3/4"	140-700				14.71.4	1575	6080	74
OT-1011	3/4"	140-700				13.6-69.1	1575	6080	74
OT-101J	3/4"	100-500				13.6-63	1575	6080	74
OT-101J	3/4"	100-500				13.6-63	1575	6080	74
OT-101M	3/4" CR 1"	140-680				14.0-100	1200	6650	74

PROFESSIONAL AUTO TOOL

CM-OT-148

5 PCS SCREW EXTRACTOR SET

•Material:
CHROME MOLY STEEL

- No.1 1/8"-1/4"
- No.2 1/4"-5/16"
- No.3 5/16"-7/16"
- No.4 7/16"-9/16"
- No.5 9/16"-3/4"

WITH PLASTIC CASE



CM-OT-209

7PCS OXYGEN SENSOR WRENCH SET

- ST-305 : 1/2"DR. x 29mm x 6PT x 90mm long.
- ST-306 : 3/8"DR. x 7/8" x 6PT x 90mm long.
- ST-307 : 3/8"DR. x 7/8" x 6PT x 80mm long.
- ST-308 : 1/2"DR. x 7/8" x 50mm long.
- ST-309 : 3/8"DR. x 7/8" x 30mm long.
- ST-312 : 1/2"DR. x 27mm x 12PT x 78mm long.
- ST-315 : 3/8"DR. x 1" & 1-1/16" x 74mm long.

- For use on Lambda sensors (oxygen sensors) on most modern cars.
- This tool covers a wide variety of options and fits most heated and non-heated sensors.

WITH BLOW MOLD CASE



CM-OT-237C

BRAKE CALIPER SERVICE SET (18PCS)

- Winds back brake piston for replacing brake pads.
- Fits most cars.

WITH BLOW MOLD CASE



CM-136A

BEARING SEPARATOR

- Capacity 3/8"- 1 1/4". (10mm x 30mm)
- Bolt(6.3mm x L 83mm x 1/4" x 20UNC)
- Body thread 1/4" x 20UNC



PROFESSIONAL AUTO TOOL



CM-520D-M7

- Flexible heads up to 200°
- Traditional flare nut wrench and crowfoot function
- Combine use with F-bar, H-bar, T-bar, Speed-handle etc.
- Suitable for all hydraulic, fuel, oil brake, A/C, O2 sensor, auto tool and air line work.

7pcs – 3/8" Dr. Flexible Crowfoot Socket Wrench 11-12-14-16-17-18-19mm

WITH BLOW MOLD CASE



CM1206

BUMPER STAND K/D TYPE

- 110*80*240CM
- Maximum Load Capacity:240 KG
- Can put wood, iron, bumper car door window glass.
- The supporting frames 5mm EVA, placeable items non-slip, scratch-resistant shock proof role.
- Can be used in car of sheet metal spray etc.

WITH SEPARATE PARTS & INSTALLATION GUIDE



CM1203

BUMPER STAND K/D TYPE

- 110*80*140CM
- Maximum Load Capacity:120 KG
- Can put wood, iron, bumper car door window glass.
- The supporting frames 5mm EVA, placeable items non-slip, scratch-resistant shock proof role.
- Can be used in car of sheet metal spray etc.

WITH SEPARATE PARTS & INSTALLATION GUIDE



CM-136

BEARING SEPARATOR

- Capacity 1 1/4"- 2 1/4". (30mm x 50mm)
- Bolt(9.5mm x L 125mm x 3/8" x 24UNF)
- Body thread 3/8" x 16UNC

PROFESSIONAL AUTO TOOL

CM-CZS-008

8PC CAMSHAFT LOCKING TOOL KIT



*** A:**

VAUXHALL / OPEL:

ASTRA G 1.7 TD

ASTRA-G 2.0 16V

VECTRA 1.8 / 2.0 16V

*** B:**

VAUXHALL / OPEL:

ASTRA G 1.4 / 1.6 / 1.8 16V

VECTRA 1.6/ 1.8 16V

ZAFRIA 1.6 / 1.8 16V

*** C: CAMSHAFT LOCKING TOOL**

*** D:**

RIGHT HAND CAMSHAFT

SAAB: 900.9000

VAUXHALL / OPEL

CALIBRA 2.5 / 2.5i / 2.6 V6

CAVALIER 2.5i V6

OMEGA-B 2.5 / 2.6/ 3.0 / 3.2 V6

SINTRIA 3.0 V6

VECTRA-A 2.5 / 2.5i / 2.6 V6

LEFT HAND CAMSHAFT

*** E:**

ROVER: 25 1.4 / 1.6 / 1.8 / VVC-45 1.4 / 1.6 / 1.8 75 1.8-200 VI-214 16V

216 16V / CABRIO / COUPE

218 COUPE-414 16V-416 16V/ TOURER

BRM 1.8VVC-METRO GTI/ GTA 16V

MGF 1.8 VVC-MOST MODELS

*** F:**

CRANK SHAFT LOCKING TOOL

VOLKSWAGEN: BORA 1.9 TDI-GOLF 1.9 TDI

LUPO 1.2 / 1.4 / 3.0 TDI-POLO 1.4 TDI

PASSAT 1.9 TDI

*** G:**

FLYWHEEL HOLDING TOOL

CITROEN: BELLINGO 1.9D-DISPATCH 1.9D/TD-FSO 1.9D RELAY 1.9D/

TD-SYNERGIE 1.9/2.0T-XANTIA 1.9 / 2.0 D/TD/HDI XSARA 1.9 /

2.0 D/HDI-ZX 1.9D/TD-MOST DIESELS

FIAT: DUCATO 2.0D-ULYSSE 1.8 / 2.0 TURBO

FORD: MOST DIESELS

PEUGEOT: 205 1.6 / 1.8 / 1.9 D-305 1.6/ 1.8 / 1.9D-306 1.8 / 1.9 D/

TD 309 1.6 / 1.9-405 1.6/1.9D-406 1.9D-605 2.0 D/TD 806 1.9TD-BOXER 1.9 /

2.0 D/TD-EXPERT 1.9D-PARTNER 1.9D

TALBOT: EXPRESS D-HORIZON D-J5 D-SOLARAD

*** H:**

FLYWHEEL HOLDING TOOL

ISUZU: 1.5 / 1.7 DIESEL ENGINES

VAUXHALL / OPEL: 1.6 / 1.7 DIESEL ENGINES

1.2 / 1.4 / 1.6 / 1.8 / 2.0 OHC PETROL ENGINES



靖旺有限公司
JIN WANG INDUSTRIAL CO., LTD.

41180台中市太平區祥順路一段16號
No. 16, Sec. 1, Xiangshun Rd., Taiping Dist.,
Taichung City 41180, Taiwan (R.O.C.)
TEL 886-4-2276-4571
FAX 886-4-2276-6074
Email: info.lsc@msa.hinet.net
[Http://www.jinwang-tools.com](http://www.jinwang-tools.com)

